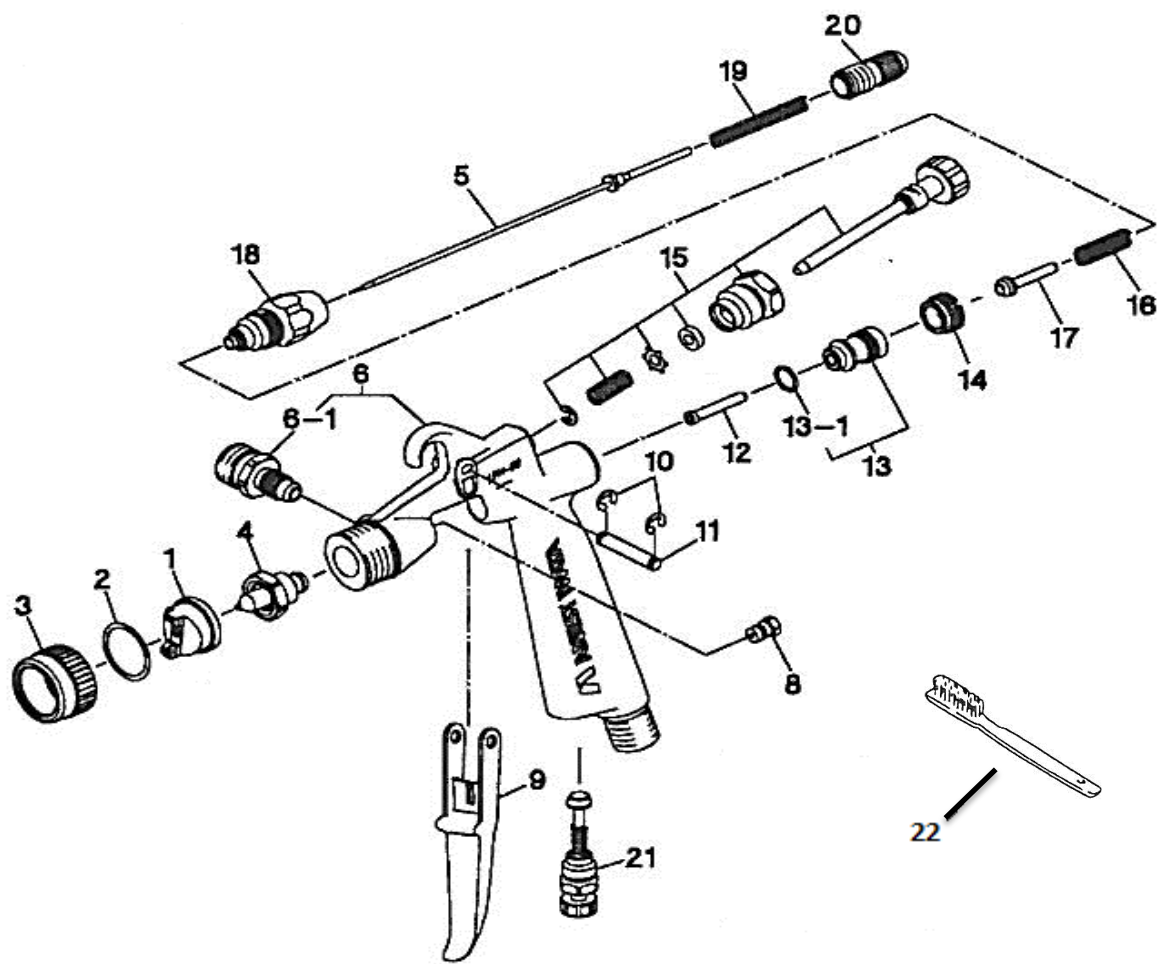


LPH50 HVLP Gravity Feed Spray Gun



ITEM NO.	PART NO.	DESCRIPTION	ITEM NO.	PART NO.	DESCRIPTION
1	93557600	Air Cap E2 (includes 2 & 3)	15	93888600	Pattern Adj. Set
1	93662600	Air Cap E4 (includes 2 & 3)	16	93012880	Air Valve Spring
2	93558600	Air Cap Packing #	17	93013880	Air Valve
3	93559600	Cover Ring	18	93936880	Fluid Adj. Guide
4	93570600	Fluid Nozzle 0.4mm	19	93015880	Fluid Needle Spring
4	93568600	Fluid Nozzle 0.6mm	20	93017880	Fluid Adj. Knob
4	93761530	Fluid Nozzle 0.8mm	21	93845531	Air Adj. Set
4	93560600	Fluid Nozzle 1.0mm	22	96990600	Brush
4	93760530	Fluid Nozzle 1.2mm		LPH50RSK	Reservice Kit includes item marked #
5	93891600	Fluid Needle 0.4mm			
5	93890600	Fluid Needle 0.6mm, 0.8mm			
5	93886600	Fluid Needle 1.0mm, 1.2mm			
6-1	93005891	Fluid Nipple			
8	93940890	Needle Packing #			
9	93162890	Trigger			
10	93912030	E Stopper #			
11	93167890	Trigger Stud			
12	93006880	Air Valve Shaft			
13	93912880	Air Valve Seat Set			
13-1	96638005	O Ring #			
14	93011880	Air Valve Seat Set			

Updated: June 2013