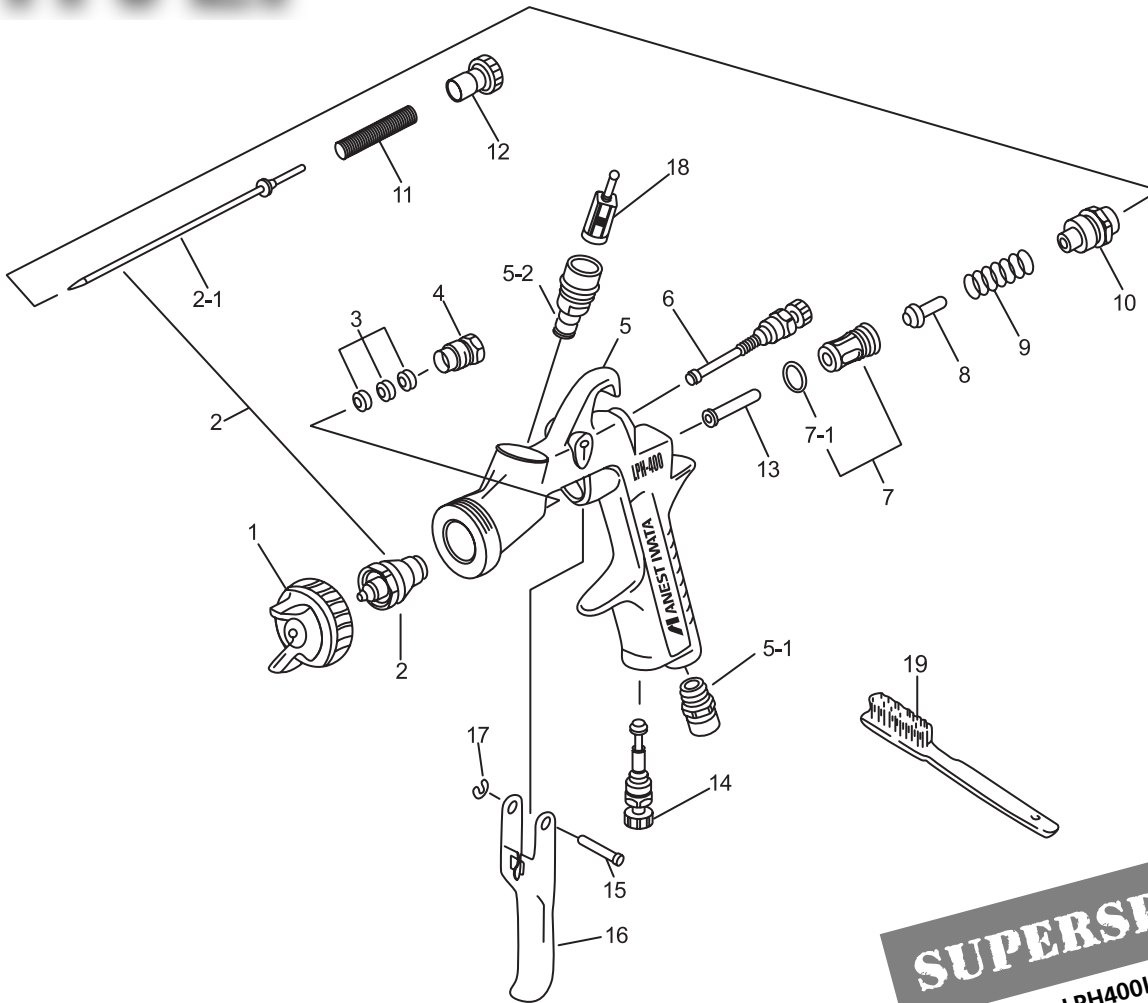


HVLP



SUPERSEDED
By LPH400LV

Item No.	Part No.	Description	Item No.	Part No.	Description
1	93843600	Air Cap Set J2 (122, 142, 162)	7-1	96638008	# O Ring
1	93844600	Air Cap Set W1 (181)	8	93591530	Air Valve
1A	93512600	# Air Cap Cover Ring - Black	9	93719530	Air Valve Spring
1B	93708240	# Air Cap Packing - White	10	93844531	Fluid Adjust Guide
2	93531600	Fluid Nozzle 1.2mm	11	93593530	Fluid Needle Spring
2	93528600	Fluid Nozzle 1.4mm	12	93594532	Fluid Adjust Knob
2	93529600	Fluid Nozzle 1.6mm	13	93595530	Air Valve Shaft
2	93530600	Fluid Nozzle 1.8mm	14	93845531	Air Adjust Set
2-1	93829600	Fluid Needle 1.2mm	15	93667360	Trigger Stud
2-1	93830600	Fluid Needle 14, 1.6mm	16	93517600	Trigger
2-1	93831600	Fluid Needle 1.8mm	17	93912030	# E Stopper (pkt 2)
3	93834530	# Needle Packing Set	18	SEL.3	Gravity Filter Pkt.3
4	93581531	Needle Packing Seat	19	96990600	Brush
5	93853600	Body Set, Gravity		93849600	Inner Pressure Measuring Air Cap J2
5-1	93660300	Air Nipple		93850600	Inner Pressure Measuring Air Cap W1
5-2	93650530	Fluid Nipple		GS01	Spanner
6	93842600	Fan Pattern Adjust Set		W400RSK	W400 & LPH400 Reservice kit
7	93843530	Air Valve Seat Set			includes items with #