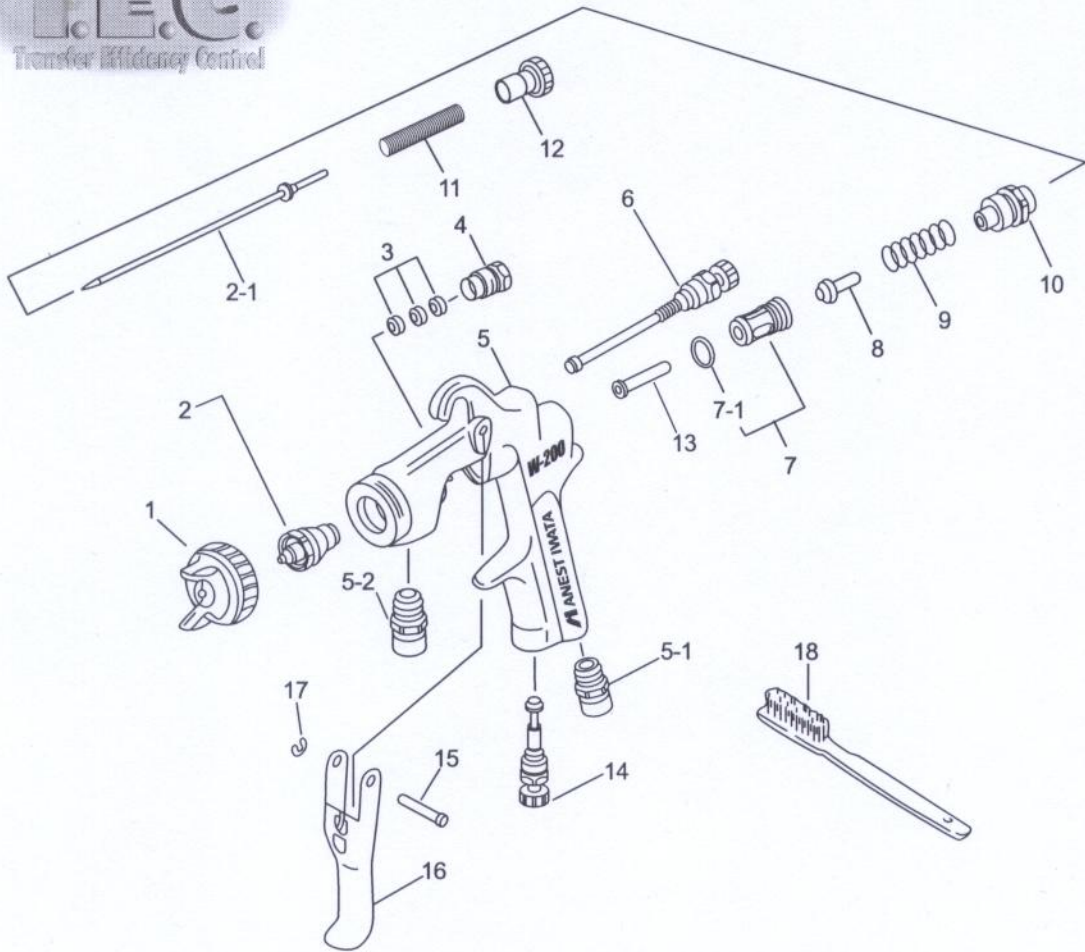


high
T.E.C.
Transfer Efficiency Control



Item No.	Part No.	Description	Item No.	Part No.	Description
1	93818611	Air Cap Set G2P(122)	4	93581531	Needle Packing Seat
1	93817611	Air Cap Set K1(151)	5	93826610	Body Set, Suction/Pressure
1	93816611	Air Cap Set K2(152, 182)	5-1	93660300	Air Hose Joint
1	93815611	Air Cap Set R1(201)	5-2	93515600	Fluid Nipple
1	93814611	Air Cap Set R2(202)	6	93840601	Fan Pattern Adjust Set
1	93813611	Air Cap Set W1(251)	7	93843530	Air Valve Seat Set
1a	93512600	# Air Cap Cover Ring - Black	7-1	96638008	# O Ring
1b	93708240	# Air Cap Packing - White	8	93591530	Air Valve
2	93527610	Fluid Nozzle 1.2mm	9	93719530	Air Valve Spring
2	93526610	Fluid Nozzle 1.5mm	10	93844531	Fluid Adjust Guide
2	93525610	Fluid Nozzle 1.8mm	11	93593530	Fluid Needle Spring
2	93524610	Fluid Nozzle 2.0mm	12	93594532	Fluid Adjust Knob
2	93523610	Fluid Nozzle 2.5mm	13	93595530	Air Valve Shaft
2-1	93829600	Fluid Needle 1.2mm	14	93845531	Air Adjust Set
2-1	93830600	Fluid Needle 1.5mm	15	93667360	Trigger Stud
2-1	93831600	Fluid Needle 1.8, 2.0mm	16	93517600	Trigger
2-1	93832600	Fluid Needle 2.5mm	17	93912030	# E Stopper (pkt 2)
2+2-1	93889610	Pressure Nozzle Needle Set 0.8mm	18	96990600	Brush
2+2-1	93890610	Pressure Nozzle Needle Set 1.0mm		GS01	Spanner
2+2-1	93823610	Pressure Nozzle Needle Set 1.2mm		W200RSK	Reservice kit includes items with #
3	93834530	# Needle Packing Set			