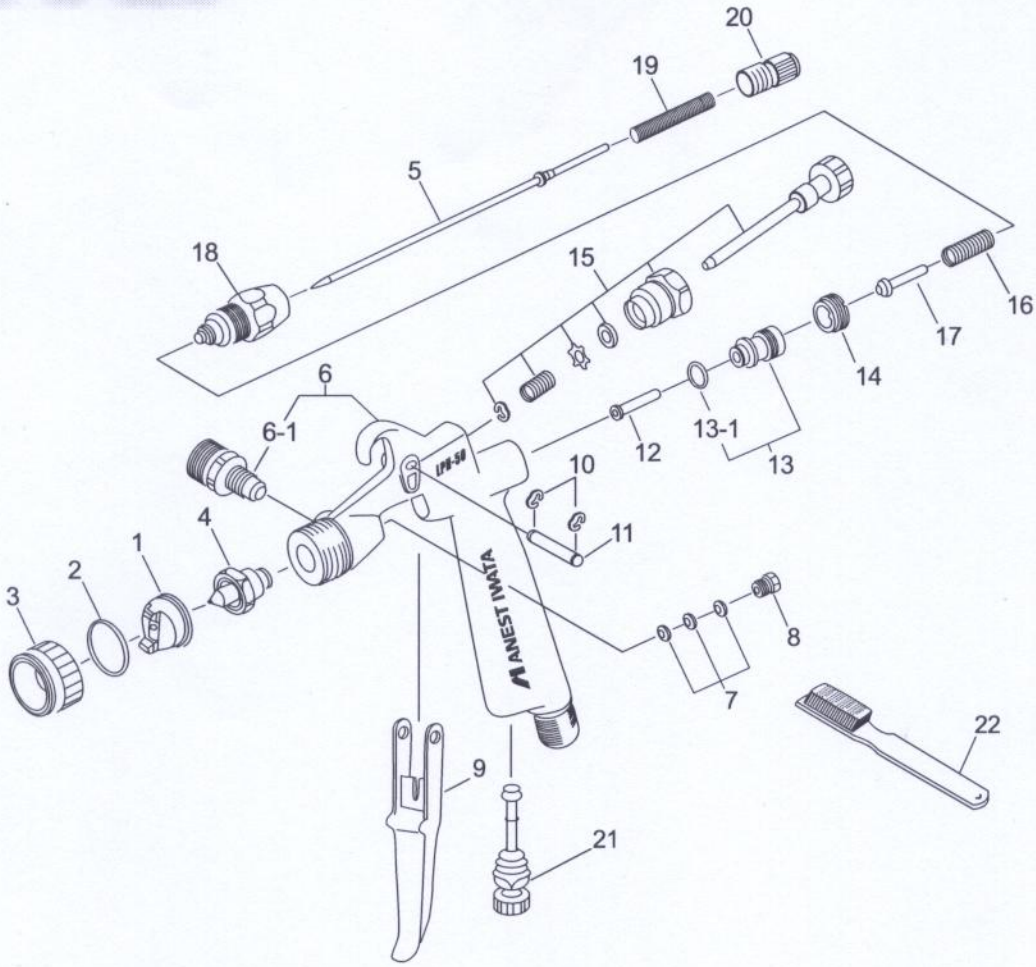
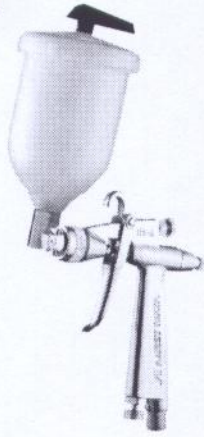


# HVLP



Item No.	Part No.	Description
1	93557600	Air Cap
2	93558600	# Packing
3	93559600	Cover
4	93560600	Fluid Nozzle LPH50-102G 1.0 mm
4	93568600	Fluid Nozzle LPH50-062G 0.6 mm
4	93570600	Fluid Nozzle LPH50-042G 0.4 mm
5	93886600	Fluid Needle Set - 102 G
5	93890600	Fluid Needle Set - 062 G
5	93891600	Fluid Needle Set - 042 G
6	93887600	Body Set
6-1	93005890	Fluid Nipple
7	93940880	# Needle Packing Set
8	93001890	Needle Packing Seat
9	93162890	Trigger
10	93912030	# E Stopper

Item No.	Part No.	Description
11	93167890	Trigger Stud
12	93006880	Air Valve Shaft
13	93912880	Air Valve Seat Set
13-1	96638005	# O Ring
14	93011880	Air Valve Seat Screw
15	93888600	Pattern Adj. Set
16	93012880	Air Valve Spring
17	93013880	Air Valve
18	93936880	Fluid Adj. Guide
19	93015880	Fluid Needle Spring
20	93017880	Fluid Adj. Knob
21	93845531	Air Adj. Set
22	96990600	Brush
	LPH50RSK	Reservice kit includes items #