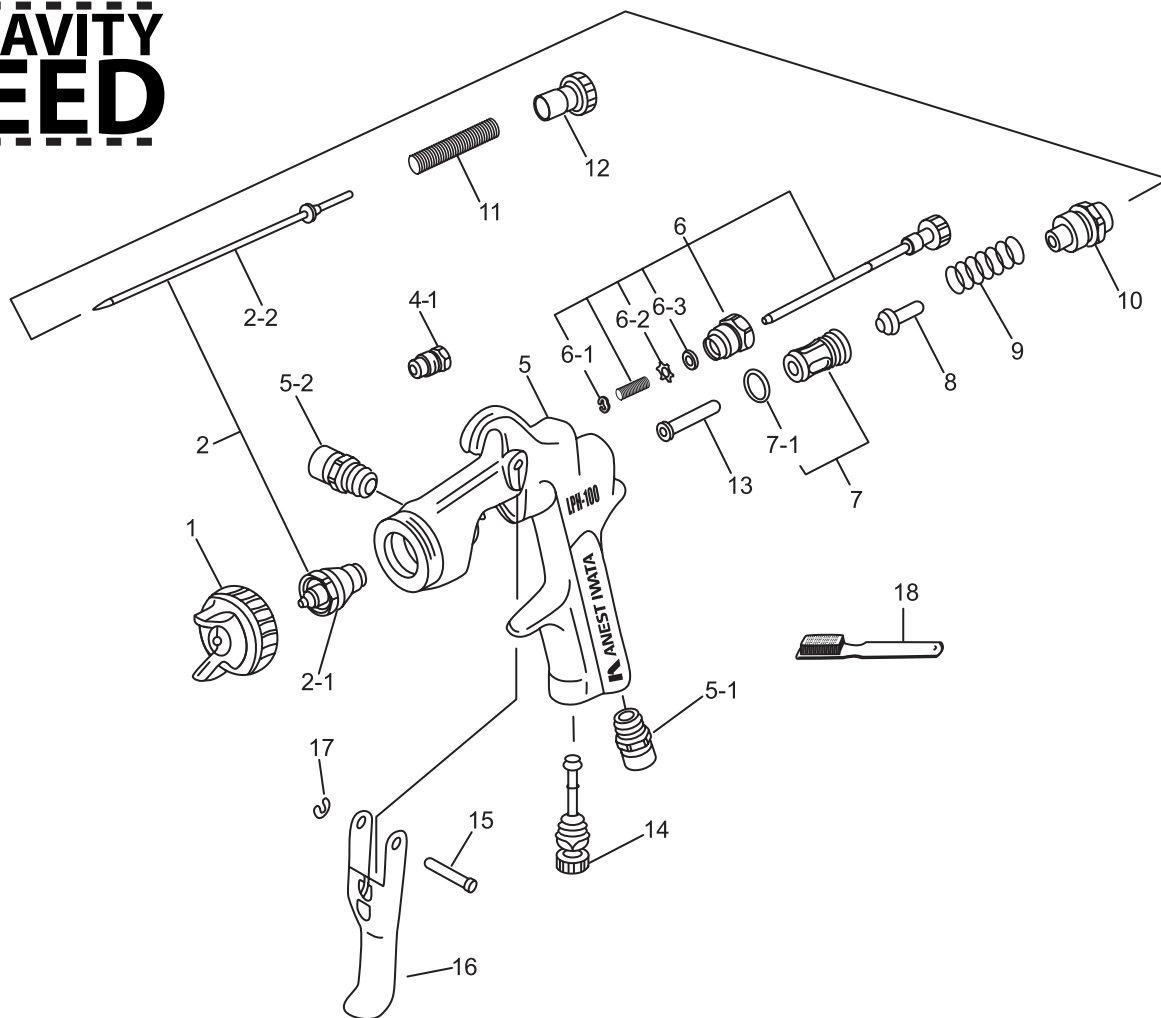


GRAVITY FEED



Item No.	Part No.	Description	Item No.	Part No.	Description
1	93875601	Air Cap Set LV4	6-2		Washer
1A	93576530	# Air Cap Cover Ring	6-3	93502540	Back Ring
1B	93608320	# Cap Packing - White	7	93843530	Air Valve Seat Set
2-1	93542600	Fluid Nozzle 1.4	7-1	96638008	# O Ring
2-1	93544600	Fluid Nozzle 1.2	8	93591530	Air Valve
2-1	93545600	Fluid Nozzle 1.6	9	93719530	Air Valve Spring
2-1	93546600	Fluid Nozzle 1.8	10	93844531	Fluid Adjust Guide Set
2-2	93537600	Fluid Needle 1.2	11	93593530	Fluid Needle Spring
2-2	93578530	Fluid Needle 1.4, 1.6	12	93594532	Fluid Adjust Knob
2-2	93703530	Fluid Needle 1.8	13	93595530	Air Valve Shaft
3	93834530	Needle Packing Set (Obsolete)	14	93845531	Air Adjust Set
4	93581531	Needle Packing Seat (Obsolete)	15	93667360	Trigger Stud
4-1	93765610	# Needle Packing with Nut	16	93597530	Trigger
5	93802600	Body Set	17	93912030	# E Stopper (2 pcs)
5-1	93660300	Air Nipple	18	96990600	Brush
5-2	93584530	Fluid Nipple		W100RSK	W100 & LPH100 Reservice Kit
6	93842531	Pattern Adjustment Set			includes items marked #
6-1	96610023	Stopper			