

QUALITY AIR



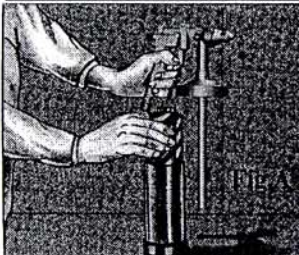
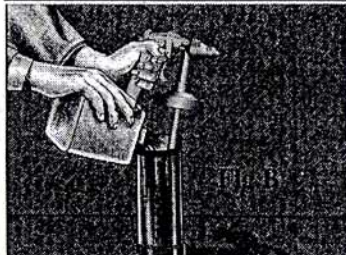
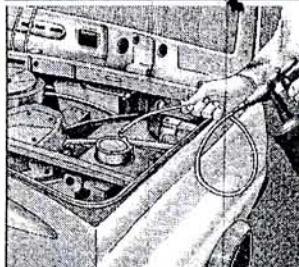
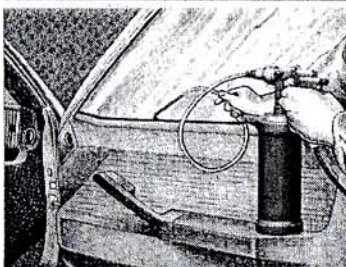
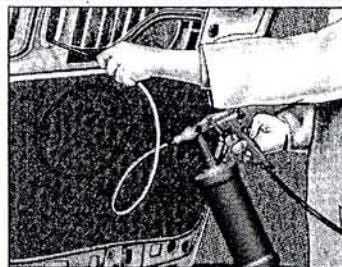
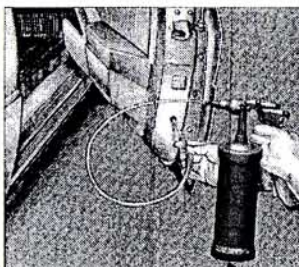
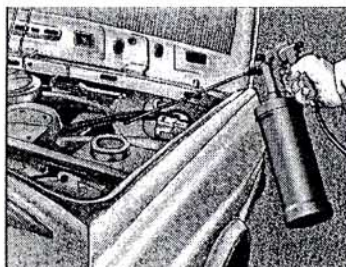
AS/215

TECH



- (I) PISTOLA PER TRATTAMENTI PROTETTIVI
Manuale d'Istruzione d'Uso e Manutenzione
- (D) SPRITZPISTOLE FÜR SCHUTZBEHANDLUNGEN
Benutzungs- und Wartungsanleitung
- (GB) GUN FOR PROTECTIVE TREATMENT
Operation and Maintenance Manual
- (F) PISTOLET POUR TRAITEMENTS DE PROTECTION
Manuel d'utilisation et d'entretien
- (E) PISTOLA PARA TRATAMIENTOS DE PROTECCIÓN
Manual de Instrucciones de Uso y Mantenimiento
- (P) PISTOLA PARA TRATAMENTOS DE PROTECÇÃO
Manual de Instruções, Uso e Manutenção
- (CZ) PISTOLE NA NANÁŠENÍ OCHRANNÝCH PROSTŘEDKŮ
Návod k použití a údržbě
- (DK) SPRØYTEPISTOL TIL BESKYTTENDE BEHANDLINGER
Vejledning til brug og vedligeholdelse
- (GR) ΠΙΣΤΟΛΙ ΓΙΑ ΕΦΑΡΜΟΓΗ ΠΡΟΤΑΤΕΥΤΙΚΩΝ ΥΛΙΚΩΝ
Εγχειρίδιο Οδηγών Χρήσης και Συντήρησης
- (H) PISZTOLY VÉDŐKEZELESEKHEZ
Használati és Karbantartási Utasítás
- (NL) PISTOOL VOOR BESCHERMINGEN
Handleiding voor gebruik en onderhoud
- (NO) SPRØYTEPISTOL FOR SPEIELLE OVERFLATEBEHANDLING
Håndbok for Bruk og Vedlikehold
- (RU) ПИСТОЛЕТ ДЛЯ ЗАЩИТНОЙ ОБРАБОТКИ
Руководство по эксплуатации и техническому обслуживанию
- (RO) PISTOL PENTRU TRATAMENTE PROTECTOARE
Manual de Instrucţiuni pentru Întreţinere şi Întreţinere
- (PL) PISTOLET DO NAKŁADANIA WARSZT W CHRONIĄCYCH
Instrukcje użytkowania i konserwacji
- (S) SPRUTPISTOL FÖR SKYDDSBEHANDLING
Instruktionsbok för drift och underhåll

CODE BY.09.32.029 ED. N° 4 - 22/07/



DATI TECNICI – TECHNISCHE DATEN – TECHNICAL DATA - CARACTERISTIQUES TECHNIQUES - DATOS TECNICOS - DADOS TÉCNICOS – TECHNICKÉ ÚDAJE - TEKNISKE DATA - TEXNIKA ΧΑΡΑΚΤΗΡΙΣΤΙΚΑ - MŰSZAKI ADATOK - TECHNISCHE GEGEVENS - TEKNISKE DATA - ТЕХНИЧЕСКИЕ ДАННЫЕ - DATE TEHNICE - DANE TECHNICZNE – TEKNISKA DATA

		AS/215/V				AS/215				
Pressione di lavoro Work pressure Presión de trabajo Provozní tlak Τίσην εργασιών Bedrijfsdruk Presiune de funcționare Náteženie robocze	Arbeitsdruck Pression de service Pressão de trabalho Arbejdstryk Működési nyomás Arbejdstrykk Presiune de funcționare Arbetsstryck	bar	da von from de de de od fra od fra ot de la od från	0.5	a bis to à a a a a tot til do pînă la do till	3.5	da von from de de de od fra od fra ot de la od från	1	a bis to à a a a a tot til do pînă la do till	5
Consumo d'aria Air consumption Consumo de aire Spotřeba vzduchu Σατανάλωση αέρα Luftverbruk Paход воздуха Zużycie powietrza	Luftverbrauch Consumation d'air Consumo de ar Luftörbrug Levegő felhasználás Luftörbruk Consum de aer Luftförbrukning	l/min	da von from de de de od fra od fra ot de la od från	200	a bis to à a a a a tot til do pînă la do till	500	da von from de de de od fra od fra ot de la od från	250	a bis to à a a a a tot til do pînă la do till	700
Λειτουργία αέρα Luftverbruk Paход воздуха Zużycie powietrza	Arbeitsdruck Pression de service Pressão de trabalho Arbejdstryk Működési nyomás Arbejdstrykk Presiune de funcționare Arbetsstryck	psi	da von from de de de od fra od fra ot de la od från	7.25	a bis to à a a a a tot til do pînă la do till	50.75	da von from de de de od fra od fra ot de la od från	14.5	a bis to à a a a a tot til do pînă la do till	72.5
Dimensioni Dimensions Dimensies Măsurări Μετρήσεις Målinger Mărimi Māriņi	Abmessungen Dimensions Dimensies Mål Μέτροι Mål Dimensiuni Māriņi	mm	185 x 385 x 105				195 x 385 x 105			
Peso Netto Net Weight Peso Neto Váha netto Σαθαρό βάρος Nettogewicht Jec Netto Tezár netto	Nettogewicht Poids net Peso Líquido Nettovegt Netó súlv Nettovekt Greutate Neto Netovikt	kg	1.365				1.445			
		lb	3.187				3.189			
MAXIMA PRESSIONE D'ESERCIZIO MAXIMUM WORKING PRESSURE MAXIMA PRESION DE FUNCIONAMIENTO MAXIMÁLNI PROVOZNÍ TLAK ΜΕΓΙΣΤΗ ΠΙΕΣΗ ΕΡΓΑΣΙΑΣ MAXIMALE BEDRIJFSDRUK МАКСИМАЛЬНОЕ РАБОЧЕЕ ДАВЛЕНИЕ MAKSIMALNE NATEŻENIE EKSPLOATACYJNE	MAX. BETRIEBSDRUCK PRESSION DE SERVICE MAXIMALE PRESSÃO MÁXIMA DE FUNCIONAMENTO MAKSIMALE ARBEJDSTRYK MŰKÖDÉSI MAXIMÁLIS NYOMÁS MAKS. ARBEJDSTRYKK PRESIUNE MAXIMĂ DE FUNCIONARE MAXIMALT DRIFTSTRYCK					8 bar				
						116 psi				

N.B. : Massimo livello di rumorosità: - OBS: Maximal bullernivå: - Nota : Niveau de bruit maximum :

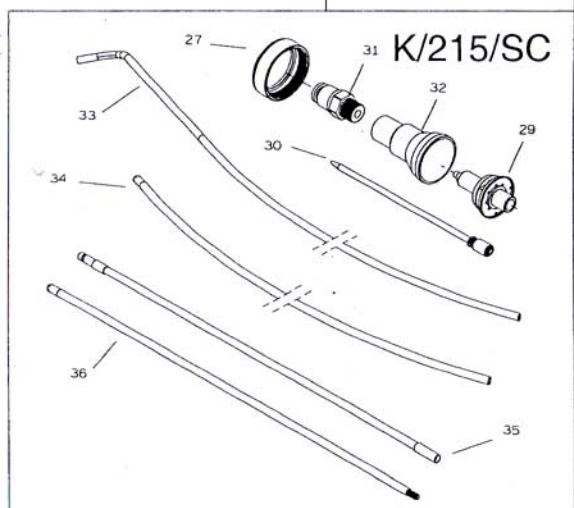
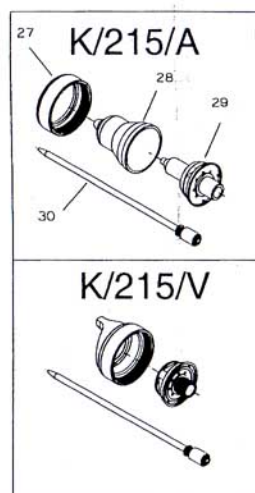
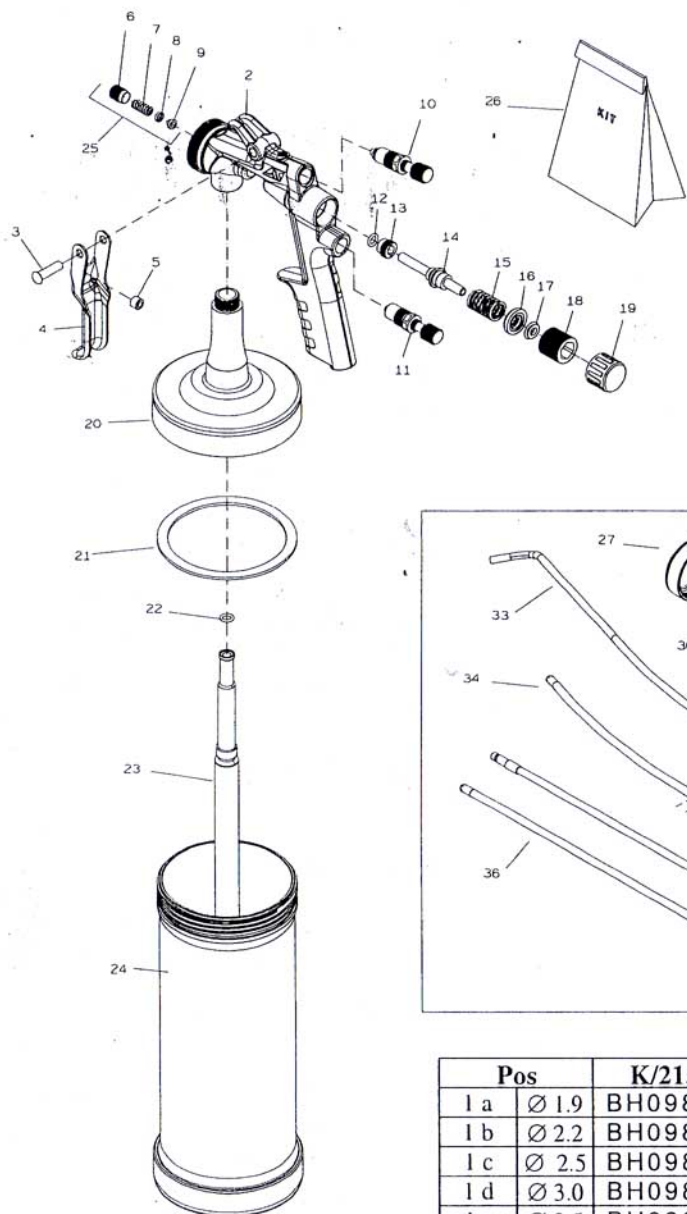
N.B. : Maximum operating noise level: - N.B. : Máximo nivel de ruido: - N.B. : Nivel máximo de emissão sonora:

POZN. : Maximální hladina hluku: - N.B. : Maksimale støjniveau: - ΣΗΜΕΙΩΣΗ: Μέγιστη στάθμη θορύβου: - Jól jegyezze meg:

N.B. Max. geluidsniveau: - N.B. Maks. støjnivå: - ПРИМЕЧАНИЕ: Максимальный шумовой уровень:

N.B. Nivel maxim de zgomot : - N.B.: Maksymalny poziom głośności: - OBS: Maximal bullernivå:

a 0.5 m (20 inch) posteriore. 0.5 m (20 inch) bakom à 0.5 m (20 inch) arrière at 0.5 m (20 inches) rear a 0.5 m (20 inch) posterior a 0.5 m (20 inch) posterior	a 1 m (40 inch) laterale 1 m (40 inch) vid sidan à 1 m (40 inch) latéral a 1 m (40 inches) lateral a 1 m (40 inch) lateral a 1 m (40 inch) lateral	Pressione di lavoro Arbeitsdruck Work pressure Pression de service Pressão de trabalho Presión de trabajo Provozní tlak Arbejdstryk Πίσην εργασιών Működési nyomás Bedrijfsdruk Arbejdstrykk Presiune de funcționare Náteženie robocze Arbetsstryck
ve vzdálenosti 0.5 m (20 inch) zezadu př 0.5 m (20 tommer) bagud oto 0.5 m (20 tommes) sva otó niska Maximális zajszint távol 0.5 méterrel (20 inch) op 0.5 m (20 inch) achter på 0.5 m (20") bak при 0.5 m (20 дюймов) сзади la 0.5 metri (20 inch) posterior w odł. 0.5 m (20 cal.) z tyłu 0.5 m (20 inch) bakom	ve vzdálenosti 1 m (40 inch) z boku på 1 m (40 tommer) til siden oto 1 m (40 tommes) sva på skrått oktáván 1 méterrel (40 inch) op 1 m (40 inch) zijwaarts på 1 m (40") på siden при 1 m (40 дюймов) сбоку la 1 metru (40 inch) lateral w odł. 1 m. (40 cal.) z boku 1 m (40 inch) vid sidan	Bar 1.5 Psi 21.75
57.5 dba	67 dba	Bar 3.5 Psi 50.75
68 dba	76.5 dba	Bar 3.5 Psi 50.75



Pos		K/215/V
1 a	Ø 1.9	BH098342
1 b	Ø 2.2	BH098343
1 c	Ø 2.5	BH098344
1 d	Ø 3.0	BH098345
1 e	Ø 3.5	BH098346

Pos	K/215/A
1 f	BH098337

Pos	K/215/SC
1 g	BH098336

Pos	AS/215
2	BH098331
3	BF088632
4	BL089617
5	BS088450
6	BS088775
7	BA088773
8	BS088774
9	BC088765
10	BH088494

Pos	AS/215
11	BH088506
12	BD088082
13	BS088084
14	BH088165
15	BA108014
16	BS088085
17	BD088086
18	BS088118
19	BI088114

Pos	AS/215
20	BH098341
21	BC098249
22	BD088082
23	BH098299
24	BH098258
25	BH088832
26	BH098338
27	BS098330
28	BS098241

Pos	AS/215
29	BS098243
30	BH098329
31	AH037106
32	BS098242
33	BH098255
34	BH098256
35	BH098254
36	BH098253

Operation and maintenance manual

Paint spray gun

PLEASE READ THESE INSTRUCTIONS CAREFULLY FOR YOUR OWN SAFETY BEFORE PROCEEDING TO THE INSTALLATION, USE OR MAINTENANCE OF THE PAINT SPRAY GUN. THIS MANUAL MUST BE CONSERVED FOR FUTURE CONSULTATION.

EN

OVERVIEW

This Manual is an integral part of the product with which it is enclosed and must be conserved for future consultation. Carefully read the recommendations and instructions contained in this instruction booklet before carrying out installation, operating, adjusting or maintenance operations, since they give important information regarding the SAFETY OF USE and MAINTENANCE. The gun should only be used by an adequately trained operator if it is to be used safely and correctly maintained. The information given in this booklet is necessary for correct use of the gun and its components and is in addition to the normal technical know-how of operators. The safety rules inserted in this booklet are in addition to the safety regulations in force in the countries where the product is used and which should already be known and applied by operators. Contact only authorised product technical assistance and maintenance centers for further information or special problems.

UNPACKING

After removing the packaging material make sure the product is in perfect condition and that there are no visibly damaged parts. If in doubt, do not use the spray gun and contact the dealer from whom it was purchased. The packaging materials (plastic bags, expanded polystyrene, etc) must be disposed of in appropriate refuse-collection containers. The above mentioned materials must not be left within the reach of children as they are potential sources of danger.

USE AND OPERATION

This SPRAY GUN has been designed for use as a manual SPRAY PAINTING GUN and every other use will be considered inappropriate. The Manufacturer declines all liability for damage or injury caused by the inappropriate use of the manual inflation gun or the failure to respect safety warnings. Any and all tampering or modification with the equipment that has not been previously authorised releases the Manufacturer from all damage derived or ascribable to the same.

GENERAL SAFETY RULES

RISKS IN INAPPROPRIATE USE



- NEVER point the paint spray gun at people or animals.
- NEVER exceed the maximum working pressures recommended.
- ALWAYS discharge the compressed air and paint products from the paint spray gun before proceeding to the disassembly, cleaning and re-assembly of the paint spray gun.

RISKS TO HEALTH



Many paint products contain organic solvents or chemical products that are harmful to health and can cause intoxication due to the toxic fumes released during spraying. It is therefore **OBLIGATORY** to take the following precautions:

- CAREFULLY read the technical cards of the products to be used before use.
- Use the paint spray gun **ONLY** in adequately ventilated or aerated rooms or areas.
- ALWAYS wear adequate safety clothing for the protection of the body during use.
- ALWAYS wear gloves, goggles and a face-mask with active carbon filters in order to avoid the risks caused by toxic fumes or contact with the paint products and solvents by the skin and eyes.



RISKS OF FIRE AND EXPLOSION



Many paint products contain highly inflammable organic solvents or chemical products; therefore, the paint spray gun must be used **ONLY** in adequately ventilated or aerated areas

- Avoid all actions that might trigger fires, such as smoking, create sparks, or raise electrical risks of any kind.
- DO NOT utilise HALOGEN-TYPE HYDROCARBON SOLVENTS (1,1,1 TRICHLOROMETHYL OR TRICHLOROETHYLENE, etc.) because they can trigger chemical reactions with some of the materials in the paint spray gun and create the risk of dangerous explosions.
- Make sure that all the paint and solvent products used are compatible by cross-checking the respective product technical safety cards.
- Ground both the spray painting machine and the object to be painted in order to reduce the risk of sparks caused by static electricity.

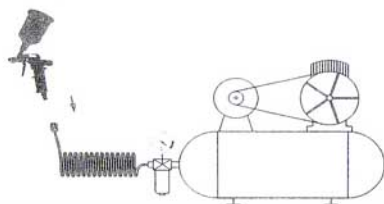


OTHER RISKS

- IT IS FORBIDDEN to use the paint spray gun for the spraying of food or medical products
- IT IS FORBIDDEN to use the pistol in areas where machines (such as conveyor belts, robots, etc.) are working

INSTALLATION

For safe operation and correct maintenance, the paint spray gun must be used only by an operator who has been provided with the adequate preparation. Make sure that the compressed air system that supplies air to the paint spray gun always supplies air that has been filtered free of impurities, moisture and oil. After removing the paint spray gun from the packaging, make sure that no damage has occurred during shipping.



- Connect the compressed air supply hose to the connector on the paint spray gun
- Clean the paint spray gun's ducts with solvent.
- Connect the paint material tank to the connector on the paint spray gun,
- Perform a test spraying to adjust the spray of product using the flow regulator

OPERATION

1. Keep a distance of 150 – 250 mm (6-10 inc.) between the paint spray gun and the surface to be painted.
2. In order to obtain a uniform finish during painting, keep the paint spray gun perpendicular and at a constant distance from the surface to be painted.
3. Spray the paint in horizontal swatches. If the finish is not adequate, make sure that the pressure is not too low and that the paint spray gun is not being held too far from the surface to be painted.

CLEANING OF THE PAINT SPRAY GUN

WARNING

Make sure to discharge all the air from the paint spray gun and disconnect the paint spray gun from the compressed air delivery hose before performing any cleaning operations.
NEVER allow the inflation gun to be serviced by personnel without adequate training and instruction..
NEVER use non-original spare parts for maintenance.



If a pause of only a few minutes will be left at the end of working, the machine can be left without cleaning; if a pause of a few hours will pass between one working and another, the paint spray gun must be cleaned in order to prevent the paint from drying inside the ducts.

1. Add clean, good quality solvent to the tank, and then pull the trigger to clean the internal paint spray gun's passages from all traces of paint before proceeding to disassembly.
2. Always disconnect the paint spray gun from the compressed air hose and discharge any residual pressure inside before proceeding to disassembly.
3. Unscrew and remove the paint spray gun's head, submerge it in solvent and brush it clean. Do not use metal objects for cleaning.
4. After removing the needle, unscrew the nozzle using the respective wrench, insert it in solvent and brush it clean. Wash the inside of the paint spray gun and brush it clean; do not submerge it completely in the solvent.
5. The outside of the body must be cleaned with a clean cloth dipped in solvent.
6. Lubricate the moving parts with grease or vaseline from time to time (DO NOT USE LUBRICANTS THAT CONTAIN SILICONE).

MALFUNCTIONS – CAUSES AND SOLUTIONS

Fan type	Cause	Solution
Intermittent spray	Presence of air in the paint circuit	<ul style="list-style-type: none"> • Tighten the nozzle using the wrench provided • Make sure that the tank is not empty • Check that the connecting hole is not obstructed • Tighten the gland screw or replace the gasket if worn
Poor atomisation. Spray concentrated into the centre	The flow of paint is greater than the pressure and quantity of air supplied	<ul style="list-style-type: none"> • Reduce the flow of paint using the rear flow regulator • Make sure that the paint is not too dense and dilute if necessary
Excessive atomisation. Lack of spray in the centre	The pressure and the quantity of air are greater than the flow of paint	<ul style="list-style-type: none"> • Reduce the quantity of air and increase the flow of paint
Uneven fan shape	There is a residue of material in the holes of the wings that obstructs the passage of material. The nozzle is dirty or malfunctioning. The atomisation cap is dirty or damaged.	<ul style="list-style-type: none"> • Submerge the head in solvent • Clean and open all closed holes with a jet of compressed air or a wooden spike • It is inadvisable to use pointed metal objects in order not to deform the hole of the head part
Uneven fan shape	This defect is caused by deformation between the nozzle and the head	<ul style="list-style-type: none"> • Clean the head and the nozzle • Make sure that the centring between the two is precise • Check that the tip of the pin is not ruined • Replace the nozzle and the head

PLACING THE PAINT SPRAY GUN OUT OF SERVICE PLACING THE PAINT SPRAY GUN OUT OF



In order to place the paint spray gun out of service, it must be first cleaned of every trace of solvent and liquid paint. The paint spray gun's construction materials are completely recyclable but must be divided according to type and eliminated using the respective collection centres.