

Sandblasting Guns



ST1

Sand Blasting Gun With 1 Litre Cup

- The **ST1** sandblasting gun with container is ideal for small jobs
- Treated steel inner fluid nozzle
- Treated steel (highly resistant to wear) outer fluid nozzle (extension type, adjustable)
- Total weight - 780 g
- Air consumption - 308 l/min (10.8 cfm)
- Fluid nozzle diameter - 5 mm
- One litre capacity container

Order No.	Description
ST1	Sandblasting Gun with container
2030640300	Replacement nozzle kit (item 1,3)

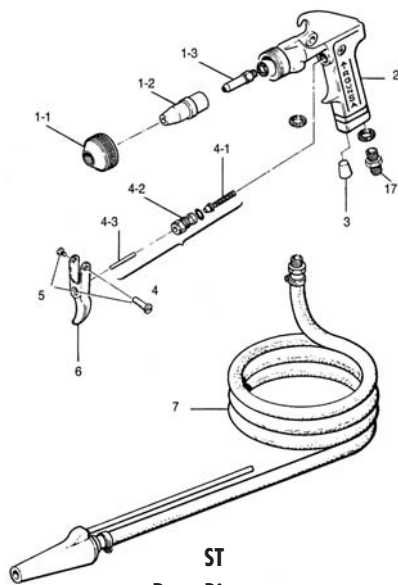
Sand Blasting Gun



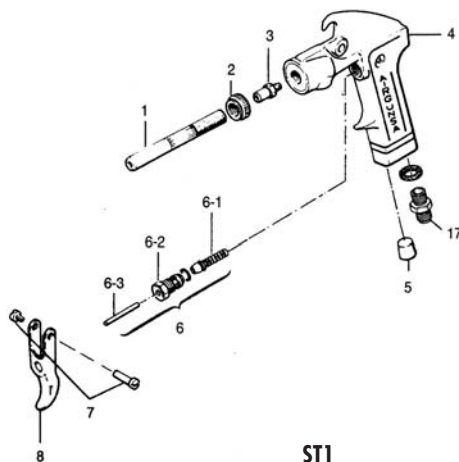
ST

- The **ST** self-priming sandblasting gun is ideal for large areas
- Treated steel inner fluid nozzle
- Treated steel (highly resistant to wear) outer fluid nozzle
- Total weight - 1020 g
- Air consumption - 315 l/min (11 cfm)
- Fluid nozzle diameter - 6 mm
- Sand suction hose length - 1.5 m

Order No.	Description
ST	Sandblasting Gun with suction hose
2030520160	Replacement nozzle kit (parts 1- 2)



ST
Parts Diagram



ST1
Parts Diagram

