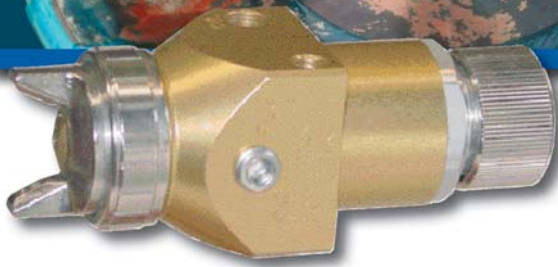


WRA200

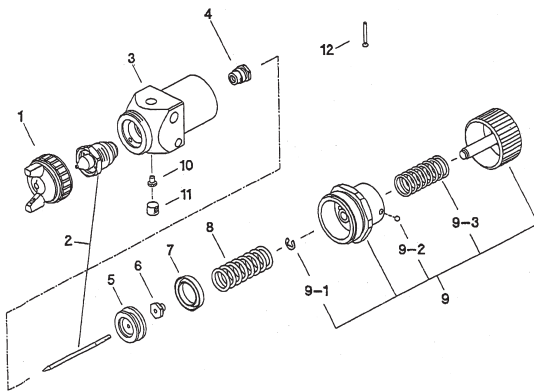
Automatic Spray Gun



- High transfer efficient, greater than 65% on the job
- Less overspray = less wastage
- Even paint coverage
- Fast operation
- Quick response shut off valve
- Stay cleaner air caps
- Teflon needle packing
- Ideal for waterborne materials
- Air controlled fan pattern, paint circulation, block and hose fixed on machine
- Ideal for robotic spraying



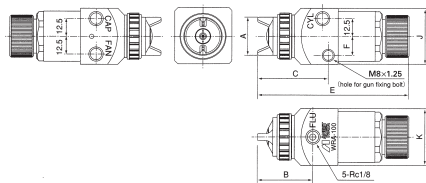
PARTS LIST



Item No.	Part No.	Description
1	93818611	Air Cap Set G2P
2	93834620	Fluid Nozzle / Needle Set
3		Body
4	93847580	Fluid Needle Packing Set
5	93629570	Piston
6	93455230	Needle Screw
7	93903440	Piston Packing
8	94003880	Piston Spring

Item No.	Part No.	Description
9	93840581	Fluid Adjust. Set
9-1	93912030	E Stop Ring
9-2	93914730	Ball (2 Pack)
9-3	93104420	Fluid Adjust. Spring
10	93526620	Plug
11	96990440	Plug
12	96172529	Screw

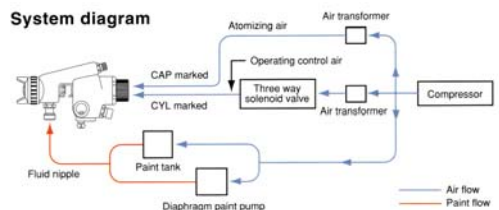
WRA200082P	WRA200102P	WRA200122P	MAIN APPLICATION Industrial & Furniture
✓	●		Material Type
✓	●		Mould Release
✓	●		Ink
✓	●	●	Stain
	●	●	Lacquer - Furniture
	✓	●	Enamel
	✓	●	Polyurethane/Urethane
	✓	●	Two Pack - Medium Solids
			Two Pack - High Solids
			Contact Adhesive
			Ceramic Enamels
			Epoxies
			Zinc
●	●		Etch Primer
			Primer Surfacer
			High Build Primer
			Paint Viscosity (Ford Cup #4)
●	●		< 18 sec
	●		18 - 26 sec
			26 - 33 sec
<p>✓ - Ideal for this material application</p> <p>● - Suitable for this material application</p>			



Fixing Dimensions (mm)

Model	A	B	C	D	φ	E	F	G	H	J	K	L	M	P
WRA200	27	44.5	85.5	16	147	23.5	36	40.5	86	38	18	14.5	20	

System diagram



TECHNICAL

Order No.	Description	Fluid Nozzle Size mm	Air Pressure @Gun Inlet bar (psi)	Air Consumption l/min (cfm)	Fluid Output ml/min	Fan Pattern mm	Weight g	Air Cap
WRA200082P	Automatic spray gun	0.8	3.0 (43)	530 (18.7)	500	400	325	G2P
WRA200102P	Automatic spray gun	1.0	3.0 (43)	530 (18.7)	500	400	325	G2P
WAA200122P	Automatic spray gun	1.2	3.0 (43)	530 (18.7)	500	400	325	G2P