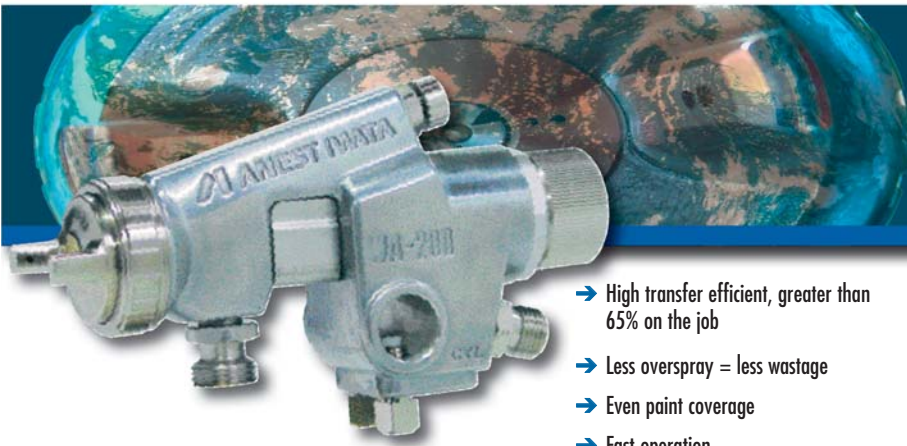


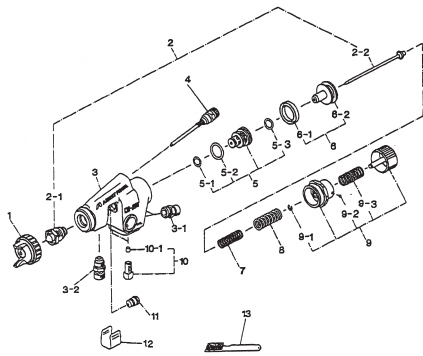
WA200 Automatic Spray Gun



- High transfer efficient, greater than 65% on the job
- Less overspray = less wastage
- Even paint coverage
- Fast operation
- Quick response shut off valve
- Stay cleaner air caps
- Teflon needle packing
- Ideal for waterborne materials
- Tungsten carbide setups are available for spraying of abrasive materials
- Optional air fan adjuster for WA200 Part No. 93812640



PARTS LIST

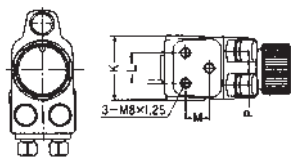


Item No.	Part No.	Description
1	93830611	Air Cap Set LV2 1.5, 1.2, 1.0, 0.8
1	93813611	Air Cap Set W1 2.5
1	93814611	Air Cap Set R2 2.0
1	93816611	Air Cap Set K2 1.5
1	93818611	Air Cap Set G2P 1.2, 1.0, 0.8
1A	93512600	# Air Cap Cover Ring - Black
1B	93708240	# Air Cap Packing - White
2	93853620	Nozzle Needle Set 0.8 mm
2	93855620	Nozzle Needle Set 1.0 mm
2	93820620	Nozzle Needle Set 1.2 mm
2	93821620	Nozzle Needle Set 1.5 mm

Item No.	Part No.	Description
2	93822620	Nozzle Needle Set 2.0 mm
2	93824620	Nozzle Needle Set 2.5 mm
3	93824620	Gun Body Set
3-1	93502620	Air Nipple
3-2	93515600	Fluid Nipple
4	93812620	Spread Adj. Set
5	93805620	Air Valve Seat Set
5-1		O Ring (see item 500)
5-2		O Ring (see item 500)
5-3		O Ring (see item 500)
6-1	93903440	# Piston Packing (2 pcs/1 pk)
6-2	93511580	Piston
7	93514580	Needle Spring
8	93513580	Piston Spring
9	93840581	Fluid Adj. Set with Ratchet
9-1	93912030	E Stopper (2 pcs/1 pk)
9-2	93914730	Steel Ball (2 pcs/1 pk)
9-3	93104420	Fluid Adj. Spring
10	93811580	Bolt Set
10-1	93810580	Bolt Cap
11	93810620	# Needle Packing Set
12	93522580	Cover
13	96990600	Brush
500	93849620	# O Ring Set
	WA200RSK	Reservice Kit includes #

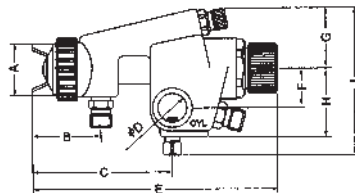
Item No.	WA200082P	WA200102P	WA200122P	WA200152P	WA200202P	WA200251P	MAIN APPLICATION
	✓	●					Industrial & Furniture
	✓	●					Material Type
	✓	●	●				Mould Release
		●					Ink
		●	●				Stain
		●	●	✓	●		Lacquer - Furniture
		✓	●	●			Enamel
		✓	●				Polyurethane/Urethane
			●	●			Two Pack - Medium Solids
			●	●	●		Two Pack - High Solids
				✓	●		Contact Adhesive
					●	●	Ceramic Enamels
				●	✓	●	Epoxies
					●	●	Zinc
	✓	●					Etch Primer
		●	●	✓	●		Primer Surfacer
				✓	●		High Build Primer
							Paint Viscosity (Ford Cup #4)
	●	●					< 18 sec
				●	●		18 - 26 sec
					●	●	26 - 33 sec

✓ - Ideal for this material application
 ● - Suitable for this material application

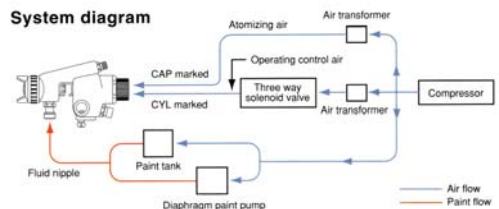


Fixing Dimensions (mm)

Model	A	B	C	D φ	E	F	G	H	J	K	L	M	P
WA200	27	44.5	85.5	16	147	23.5	36	40.5	86	38	18	14.5	20



System diagram



Order No.	Description	Fluid Nozzle Size mm	Air Pressure @Gun Inlet bar (psi)	Air Consumption l/min (cfm)	Fluid Output ml/min	Fan Pattern mm	Weight g	Air Cap
WA200082P	Automatic spray gun	0.8	3.0 (43)	530 (18.7)	500	400	500	G2P
WA200102P	Automatic spray gun	1.0	3.0 (43)	530 (18.7)	500	400	500	G2P
WA200122P	Automatic spray gun	1.2	3.0 (43)	530 (18.7)	500	400	500	G2P
WA200152P	Automatic spray gun	1.5	3.0 (43)	330 (11.7)	270	340	500	K2
WA200202P	Automatic spray gun	2.0	3.0 (43)	360 (12.7)	400	320	500	R2
WA200251P	Automatic spray gun	2.5	3.0 (43)	360 (12.7)	500	330	500	W1