

WA 100

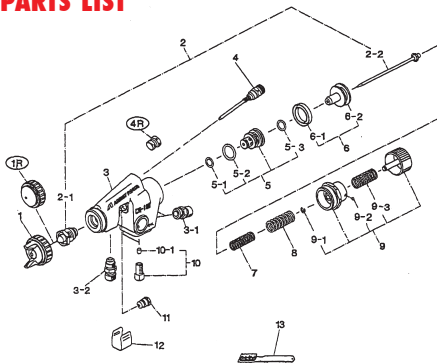
Compact Automatic Spray Gun



- High transfer efficient, greater than 65% on the job
- Less overspray = less wastage
- Even paint coverage
- Fast operation
- Quick response shut off valve
- Stay cleaner air caps
- Teflon needle packing
- Ideal for waterborne materials
- Optional air fan adjuster (part no. 93811640)



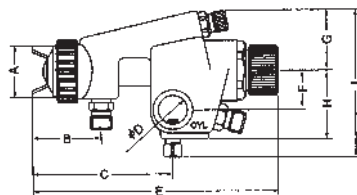
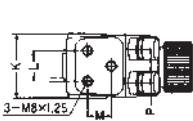
PARTS LIST



Item No.	Part No.	Description
1	93800611	Air Cap Set H2 1.3
1	93810611	Air Cap Set E2P 0.8, 1.0
1A	93576530	# Air Cap Cover Ring - Black
1B	93608320	# Cap Packing - White
1-R	93815620	Air Cap Set 0.5 Round
2	93808620	Nozzle Needle Set 1.0 mm
2	93811620	Nozzle Needle Set 0.8 mm
2	93813620	Nozzle Needle Set 1.3 mm
2	93816620	Nozzle Needle Set 0.5 mm

Item No.	Part No.	Description
3		Gun body Set
3-1	93502620	Air Nipple
3-2	93584530	Fluid Nipple
4	93801620	Spread Adj. Set
4-R	93625370	Blank Screw
5	93805620	Air Valve Seat Set
5-1		O Ring (see item 500)
5-2		O Ring (see item 500)
5-3		O Ring (see item 500)
6-1	93903440	# Piston Packing (2 pcs/1 pk)
6-2	93511580	Piston
7	93514580	Needle Spring
8	93513580	Piston Spring
9	93840581	Fluid Adj. Set with Ratchet
9-1	93912030	E Stopper (2 pcs/1 pk)
9-2	93914730	Steel Ball (2 pcs/1 pk)
9-3	93104420	Fluid Adj. Spring
10	93811580	Bolt Set
10-1	93810580	Bolt Cap
11	93810620	# Needle Packing Set
12	93522580	Cover
13	96990600	Brush
500	93849620	# O Ring Set (5-1, 5-2, 5-3)
	WA100RSK	Reservice Kit includes #

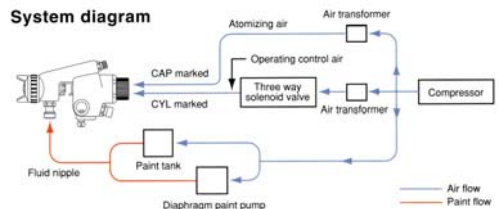
WA10005R	WA100082P	WA100102P	WA100132P	MAIN APPLICATION Industrial & Furniture
✓	✓	●	●	Material Type
✓	✓	●	●	Mould Release
✓	✓	●	●	Ink
✓	✓	●	●	Stain
		●	✓	Lacquer - Furniture
	●	✓	●	Enamel
	●	✓	●	Polyurethane/Urethane
		✓	●	Two Pack - Medium Solids
			✓	Two Pack - High Solids
				Contact Adhesive
				Ceramic Enamels
				Epoxies
				Zinc
●	✓	●	●	Etch Primer
		●	●	Primer Surfacer
				High Build Primer
				Paint Viscosity (Ford Cup #4)
✓	✓	✓	●	< 18 sec
		●	✓	18 - 26 sec
				26 - 33 sec
				✓ - Ideal for this material application ● - Suitable for this material application



Fixing Dimensions (mm)

Model	A	B	C	D	φ	E	F	G	H	J	K	L	M	P
WA100	27	44.5	85.5	16		147	23.5	36	40.5	86	38	18	14.5	20

System diagram



TECHNICAL

Order No.	Description	Fluid Nozzle Size mm	Air Pressure @Gun Inlet bar (psi)	Air Consumption l/min (cfm)	Fluid Output ml/min	Fan Pattern mm	Weight g	Air Cap
WA10005R	Automatic round spray gun	0.5	3.0 (43)	40 (1.4)	20	35	440	
WA100082P	Automatic spray gun	0.8	2.0 (28)	270 (9.5)	150	190	460	E2P
WA100102P	Automatic spray gun	1.0	2.0 (28)	270 (9.5)	200	220	460	E2P
WA100132P	Automatic spray gun	1.3	3.0 (43)	260 (9.2)	250	230	460	H2