



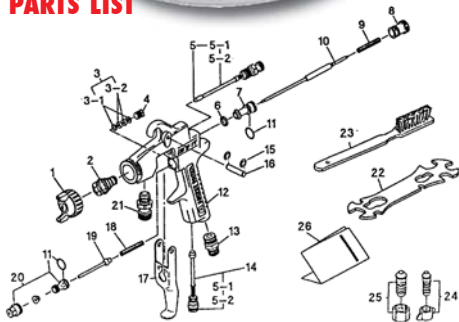
NEW-77

Suction & Pressure Feed Spray Guns

- A well-balanced general purpose spray gun
- Built-in air adjuster
- Comfortable to use
- Excellent manoeuvrability
- Medium to large paint jobs



PARTS LIST



Item No.	Part No.	Description
1	93922910	Air Cap Set 0
1	93924900	Air Cap Set 1
1	93928900	Air Cap Set 2
1	93929900	Air Cap Set 3
2	93055080	Fluid Nozzle 0
2	93053080	Fluid Nozzle 1
2	93047110	Fluid Nozzle 2
2	93054080	Fluid Nozzle 3
3	93840150	Fluid Needle Pk Set
4	93067900	Needle Pk Seat
5	93909900	Pattern Adj. Seat

Item No.	Part No.	Description
5-1	93906100	O-Ring
5-2	96610023	Stopper
6	93908100	Gasket
7	93064900	Needle Guide
8	93102081	Fluid Adj. Knob
9	93069081	Needle Valve Spring
10	93934080	Fluid Needle 0
10	93933080	Fluid Needle 1
10	93932080	Fluid Needle 2
10	93935080	Fluid Needle 3
11	93906100	O-Ring
12	93028900	Gun Body Suction Type
13	93160002	Air Nipple
14	93907900	Air Adj. Set
15	93842240	E Stopper Set
16	93167041	Trigger Stud
17	93162900	Trigger
18	93088050	Air Valve Spring
19	93081900	Air Valve
20	93930900	Air Valve Seat Set
20-1	93086082	Air Valve Pk Seat
20-2	93909101	Air Valve Pk
20-3	93083901	Air Valve Seat
21	93161901	Fluid Nipple

ACCESSORIES



015001
Super Lube



SEL.11
Spray Gun
Cleaning
Kit



DR5
Spray Gun
Regulator
with
Gauge



SEL.5
Spray Gun
Filters



LA.700
700 ml
Metal Pot

NEW77.0	NEW77.1LA	NEW77.2LA	NEW77.3LA	MAIN APPLICATION Auto-Refinish Industrial/Furniture
✓	✓			Material Type
				Etch Primer
		✓		Primer - 1K
		●	✓	Filling Primer - 2K
		●	●	Spray Putty
✓	●			Stain
	●			Lacquer - Furniture
	●			Acrylic Lacquer
●	●			Enamel - Air Dry
✓	●			Polyurethane/Urethane
●	●			Top Coat Solid Colour - 2K
●	●			Base Coat - 2K
				Base Coat - Waterborne
				Clear Coat - 2K
				High Solids - 2K (80-85%)
		●		Contact Adhesive
		●	●	Epoxy
		✓		High Build Epoxy
		✓		Zinc
		✓		Chlorinated Rubber
				Paint Viscosity (Ford Cup #4)
●				< 18 sec
	●	●		18 - 26 sec
		●		26 - 33 sec

✓ - Ideal for this material application
 ● - Suitable for this material application

TECHNICAL		Fluid Nozzle Size mm	Air Pressure @Gun Inlet bar (psi)	Air Consumption l/min (cfm)	Fluid Output ml/min	Fan Pattern mm	Air Cap No.
NEW77.0	Pressure spray gun head only	1.2	3.5 (50)	430 (15.2)	480	445	0
NEW77.1LA	Spray gun & LA.1000 1 litre pot	1.5	3.5 (50)	180 (6.3)	255	210	1
NEW77.2LA	Spray gun & LA.1000 1 litre pot	2.0	3.5 (50)	250 (8.8)	345	255	2
NEW77.3LA	Spray gun & LA.1000 1 litre pot	2.5	3.5 (50)	325 (11.5)	435	280	3