



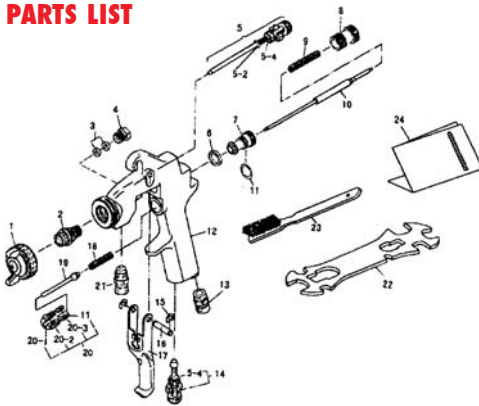
NEW-71

Suction & Pressure Feed Spray Guns

- A well balanced general purpose spray gun
- Polished body for easy cleaning
- Built-in air adjuster
- Comfortable to use
- Excellent manoeuvrability
- Small to medium paint jobs



PARTS LIST



Item No.	Part No.	Description
3	93906110	Fluid Needle Pk Set
4	93067082	Needle Pk Nut
5	93909080	Patern Adj. Set
6	93908100	Gasket 2 Pcs
7	93064081	Needle Guide
8	93102081	Fluid Adj. Knob
9	93069081	Needle Valve Spring
10	93917090	Fluid Needle 0
10	93924100	Fluid Needle 1
10	93927090	Fluid Needle 2
10	93928090	Fluid Needle 3
11	96638008	O-Ring
12	93022080	Gun Body Suction
12	93018090	Gun Body Gravity
13	93010080	Air Nipple
14	93907081	Air Adj. Set
15	93912030	E Stopper Set 2 Pcs
16	93167080	Trigger Stud
17	93162080	Trigger
18	93088082	Air Valve Spring
19	93081081	Air Valve
20	93930090	Air Valve Seat Set
20-1	93086082	Air Valve Pk Seat
20-2	93083082	Air Valve Seat
20-3	93909101	Air Valve Pk 2 Pcs
21	93161082	Fluid Nipple
22		Spanner
23		Brush
24		Instruction Manual

Item No.	Part No.	Description
1	93953090	Air Cap Set 0
1	93954080	Air Cap Set 1
1	93948090	Air Cap Set 2
1	93949090	Air Cap Set 3
2	93036110	Fluid Nozzle 0
2	93046080	Fluid Nozzle 1
2	93039110	Fluid Nozzle 2
2	93044080	Fluid Nozzle 3

ACCESSORIES



015001
Super Lube



SEL.11
Spray Gun
Cleaning
Kit



DR5
Spray Gun
Regulator
with
Gauge



SEL.5
Spray Gun
Filters



LA.700
700 ml
Metal Pot

NEW71.0	NEW71.1SLA	NEW71.2SLA	NEW71.3SLA	MAIN APPLICATION Auto-Refinish/ Industrial/Furniture
✓	●	✓		Material Type
			✓	Etch Primer
			✓	Primer - 1K
				Filling Primer - 2K
				Spray Putty
✓	●	●	✓	Stain
				Lacquer - Furniture
			●	Acrylic Lacquer
●			✓	Enamel - Air Dry
●	●	●	●	Polyurethane/Urethane
			●	Top Coat Solid Colour - 2K
			●	Base Coat - 2K
				Base Coat - Waterborne
				Clear Coat - 2K
				High Solids - 2K (80-85%)
				Contact Adhesive
				Epoxy
				High Build Epoxy
				Zinc
				Chlorinated Rubber
				Paint Viscosity (Ford Cup #4)
✓	●			< 18 sec
		●	●	18 - 26 sec
				26 - 33 sec
<p>✓ - Ideal for this material application ● - Suitable for this material application</p>				

Order No.	Description	Fluid Nozzle Size mm	Air Pressure @Gun Inlet bar (psi)	Air Consumption l/min (cfm)	Fluid Output ml/min	Fan Pattern mm	Air Cap No.
NEW71.0	Spray gun head only	0.8	3 (44)	240 (8.5)	200	190	0
NEW71.1SLA	Spray gun & LA.700 700 ml pot	1.0	3 (44)	75 (2.7)	95	100	1
NEW71.2SLA	Spray gun & LA.700 700 ml pot	1.3	3 (44)	85 (3)	135	135	2
NEW71.3SLA	Spray gun & LA.700 700 ml pot	1.5	3 (44)	165 (5.8)	180	170	3