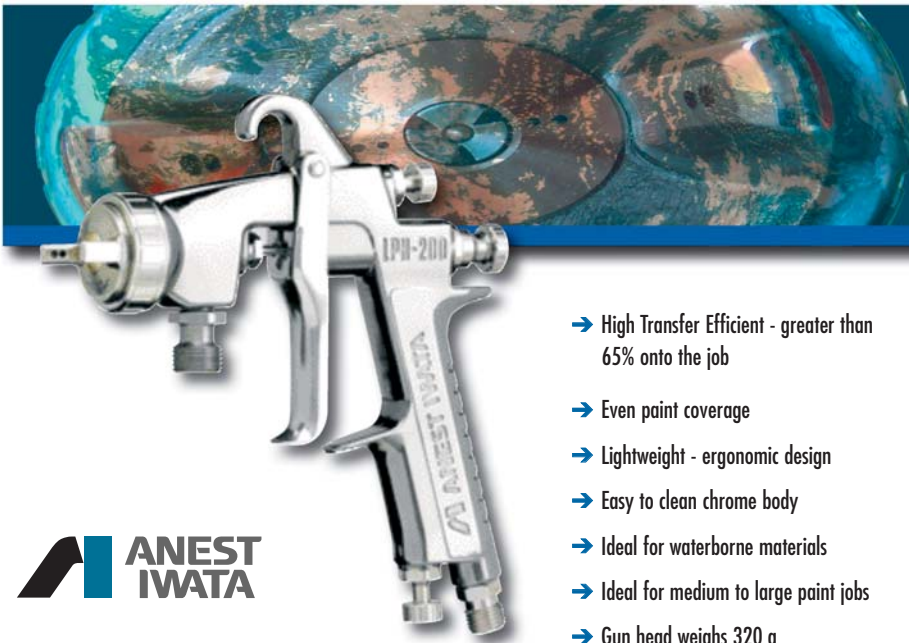


LPH200

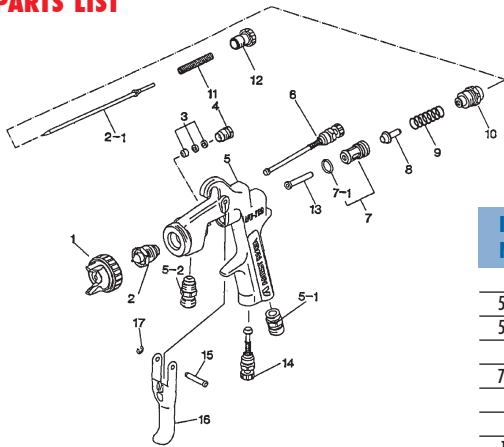
Pressure Feed Spray Gun



- High Transfer Efficient - greater than 65% onto the job
- Even paint coverage
- Lightweight - ergonomic design
- Easy to clean chrome body
- Ideal for waterborne materials
- Ideal for medium to large paint jobs
- Gun head weighs 320 g

HVLP

PARTS LIST



Item No.	Part No.	Description
1	93822601	Air Cap Set G2
1A	93512600	# Air Cap Cover Ring - Black
1B	93708240	# Air Cap Packing - White
2	93503600	Nozzle 1.2
2-1	93829600	Needle 1.2
3	93834530	# Needle Packing Set
4	93581531	Needle Packing Seat

Item No.	Part No.	Description
5	93824600	Body Set
5-1	93660300	Air Nipple
5-2	93515600	Fluid Nipple
6	93840601	Pattern Adjustment Set
7-1	96638008	# O Ring
8	93591530	Air Valve
9	93719530	Air Valve Spring
10	93844531	Fluid Adjust Guide Set
11	93593530	Fluid Needle Spring
12	93594532	Fluid Adjust Knob
12	93817600	Locked Fluid Adjustment Set Option
13	93595530	Air Valve Shaft
14	93845531	Air Adjustment Set
15	93667360	Trigger Stud
16	93517600	Trigger
17	93912030	# E Stopper (2 pcs)
	93837600	Air Measuring Cap Set
	W200RSK	W200 & LPH200 Reservice kit includes items with #

ACCESSORIES



015001
Super Lube



SEL.11
Spray Gun
Cleaning
Kit



6225052
Green 60 micron filter
6225100
Blue 120 micron filter
6225340
White 240 micron filter

622538
Inline Filter
Holder 3/8"
62251414
Inline Filter
Holder 1/4"



DR5
Spray Gun
Regulator with
Gauge



AC01
Impact Controller

LPH200 122P	MAIN APPLICATION Auto-Refinish/ Furniture
	Material Type
●	Etch Primer
●	Primer - 1K
	Filling Primer - 2K
	Spray Putty
●	Stain
●	Lacquer - Furniture
●	Acrylic Lacquer
✓	Enamel - Air Dry
✓	Polyurethane/Urethane
✓	Top Coat Solid Colour - 2K
✓	Base Coat - 2K
✓	Base Coat - Waterborne
✓	Clear Coat - 2K
●	High Solids - 2K (80-85%)
	Contact Adhesive
	Epoxy
	High Build Epoxy
	Zinc
	Chlorinated Rubber
	Paint Viscosity (Ford Cup #4)
●	< 18 sec
●	18 - 26 sec
	26 - 33 sec
✓	- Ideal for this material application
●	- Suitable for this material application

TECHNICAL

Order No.	Description	Fluid Nozzle Size mm	Air Pressure @Gun Inlet bar (psi)	Air Pressure Inside Air Cap bar (psi)	Air Consumption l/min (cfm)	Fluid Output ml/min	Fan Pattern mm	Air Cap No.
LPH200 122P	Spray gun head only	1.2	2.0 (28)	0.7 (10)	500 (17.7)	500	300	G2