

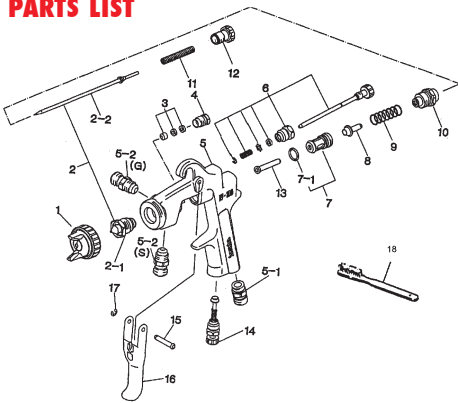
# W101

## Pressure Feed Spray Gun



- High Transfer Efficient - greater than 65% onto the job
- Less overspray = less wastage
- Fine atomization spray pattern
- More paint coverage - fast operation
- New lightweight ergonomic design
- Gun head weight only 295 g
- Easy to clean chrome body
- Perfect for waterborne materials
- Ideal for touch up work in auto refinishing industry

### PARTS LIST



| Item No. | Part No. | Description                          |
|----------|----------|--------------------------------------|
| 1        | 93735610 | Air Cap Set E2P (0.8, 1.0, 1.3, 1.5) |
| 1A       | 93576530 | # Air Cap cover Ring - Black         |
| 1B       | 93608320 | # Cap Packing - White                |
| 2        | 93706610 | Nozzle / Needle Set 0.8 mm           |
| 2        | 93691610 | Nozzle / Needle Set 1.0 mm           |
| 2        | 93666610 | Nozzle / Needle Set 1.3 mm           |
| 2        | 93698610 | Nozzle / Needle Set 1.5 mm           |
| 2-1      | 93692610 | Fluid Nozzle 1.0 mm                  |
| 2-1      | 93667610 | Fluid Nozzle 1.3 mm                  |
| 2-1      | 93699610 | Fluid Nozzle 1.5 mm                  |
| 3        | 93834530 | # Needle Packing Set                 |
| 4        | 93581531 | Needle Packing Seat                  |

| Item No. | Part No. | Description                           |
|----------|----------|---------------------------------------|
| 5        | 93669610 | Gun Body - Suction / Pressure         |
| 5-1      | 93660300 | Air Hose Joint                        |
| 5-2      | 93584530 | Fluid Nipple                          |
| 6        | 93842531 | Fan Pattern Adjust Set                |
| 7        | 93843530 | Air Valve Seat Set                    |
| 7-1      | 9663800  | # O Ring                              |
| 8        | 93591530 | Air Valve                             |
| 9        | 93719530 | Air Valve Spring                      |
| 10       | 93844531 | Fluid Adjust Guide                    |
| 11       | 93593530 | Fluid Needle Spring                   |
| 12       | 93594532 | Fluid Adjust Knob                     |
| 13       | 93595530 | Air Valve Shaft                       |
| 14       | 93845531 | Air Adjust Set                        |
| 15       | 93667360 | Trigger Stud                          |
| 16       | 93597530 | Trigger                               |
| 17       | 93912030 | # E Stopper                           |
| 18       | 96990600 | Brush                                 |
|          | K100     | Spanner ( not shown )                 |
|          | W101RSK  | Reservice Kit includes parts marked # |

| W101082P   | W101002P | W101132P | W101152P | MAIN APPLICATION<br>Auto-Refinish        |
|--|----------|----------|----------|--|
| ●  | ✓        | ●        | ●        | <b>Material Type</b>                     |
|  |          | ✓        | ●        | Etch Primer                              |
|  |          |          | ●        | Primer - 1K                              |
|  |          |          |          | Filling Primer - 2K                      |
|  |          |          |          | Spray Putty                              |
| ●  | ✓        | ●        | ●        | Stain                                    |
|  |          | ●        | ✓        | Lacquer - Furniture                      |
|  |          |          | ✓        | Acrylic Lacquer                          |
|  |          | ✓        |          | Enamel - Air Dry                         |
| ●  |          |          |          | Polyurethane/Urethane                    |
|  | ✓        | ●        |          | Top Coat Solid Colour - 2K               |
|  |          |          | ✓        | Base Coat - 2K                           |
| ●  |          |          |          | Base Coat - Waterborne                   |
|  |          | ✓        | ●        | Clear Coat - 2K                          |
|  |          | ●        |          | High Solids - 2K (80-85%)                |
| ✓  |          |          |          | Contact Adhesive                         |
|  | ●        |          |          | Epoxy                                    |
| ✓  |          |          |          | High Build Epoxy                         |
|  |          |          |          | Zinc                                     |
|  |          |          |          | Chlorinated Rubber                       |
|  |          |          |          | <b>Paint Viscosity<br/>(Ford Cup #4)</b> |
|  |          |          |          | < 18 sec                                 |
|  |          |          |          | 18 - 26 sec                              |
|  |          |          |          | 26 - 33 sec                              |
| <p>✓ - <b>Ideal</b> for this material application</p> <p>● - <b>Suitable</b> for this material application</p> |          |          |          |  |

### ACCESSORIES



**015001**  
Super Lube



**SEL.11**  
Spray Gun  
Cleaning  
Kit



**6225052**  
Green 60 micron filter  
**6225100**  
Blue 120 micron filter  
**6225340**  
White 240 micron filter

**622538**  
Inline Filter  
Holder 3/8"  
**62251414**  
Inline Filter  
Holder 1/4"



**DR5**  
Spray Gun  
Regulator  
with Gauge

| TECHNICAL       | Fluid Nozzle Size mm | Air Pressure @Gun Inlet bar (psi) | Air Consumption l/min | Fluid Output ml/min | Fan Pattern mm | Air Cap No. |     |
|-----------------|----------------------|-----------------------------------|-----------------------|---------------------|----------------|-------------|-----|
| <b>W101082P</b> | Spray gun head only  | 0.8                               | 3 (42)                | 270                 | 150            | 190         | E2P |
| <b>W101102P</b> | Spray gun head only  | 1.0                               | 3 (42)                | 270                 | 200            | 220         | E2P |
| <b>W101132P</b> | Spray gun head only  | 1.3                               | 3 (42)                | 220                 | 200            | 210         | E2P |
| <b>W101152P</b> | Spray gun head only  | 1.5                               | 3 (42)                | 220                 | 250            | 210         | E2P |