

LPH100

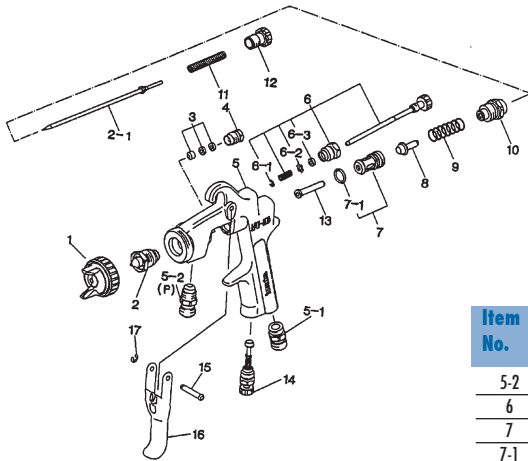
Pressure Feed Spray Gun



- High Transfer Efficient - greater than 65% paint on the job
- Even paint coverage
- Light weight - ergonomic design
- Easy to clean chrome body
- Ideal for waterborne materials
- Ideal for small to medium paint jobs
- Gun head weighs 320 g

HVLP

PARTS LIST



Item No.	Part No.	Description
1	93832530	Air Cap Set E1
1A	93576530	# Air Cap Cover Ring
1B	93608320	# Cap Packing
2+2-1	93855600	Nozzle Needle Set 0.8mm
2+2-1	93856600	Nozzle Needle Set 1.0mm
2+2-1	93833530	Nozzle Needle Set 1.3mm
2+2-1	93802600	Nozzle Needle Set 1.5mm
3	93834530	# Needle Packing Set
4	93581531	Needle Packing Seat
5	93835530	Body Set, Pressure
5-1	93660300	Air Nipple

Item No.	Part No.	Description
5-2	93584530	Fluid Nipple
6	93842531	Fan Pattern Adjust Set
7	93843530	Air Valve Seat Set
7-1	96638008	# O Ring
8	93591530	Air Valve
9	93719530	Air Valve Spring
10	93844531	Fluid Adjust Guide
11	93593530	Fluid Needle Spring
12	93594532	Fluid Adjust Knob
13	93595530	Air Valve Shaft
14	93845531	Air Adjust Set
15	93667360	Trigger Stud
16	93597530	Trigger LPH100
17	93912030	# E Stopper (pkt 2)
	96990600	Brush
	K100	Spray Gun Spanner
	W100RSK	W100 & LPH100 Reservice Kit includes items with #

LPH10008P	LPH100101P	LPH100131P	LPH100151P	MAIN APPLICATION Auto-Refinish
✓	●			Material Type
			●	Etch Primer
			●	Primer - 1K
				Filling Primer - 2K
				Spray Putty
●	✓			Stain
			●	Lacquer - Furniture
			●	Acrylic Lacquer
			●	✓ Enamel - Air Dry
	●	●	✓	Polyurethane/Urethane
			●	✓ Top Coat Solid Colour - 2K
			●	✓ Base Coat - 2K
			●	✓ Base Coat - Waterborne
	●	●	✓	Clear Coat - 2K
			●	High Solids - 2K (80-85%)
				Contact Adhesive
				Epoxy
				High Build Epoxy
				Zinc
				Chlorinated Rubber
				Paint Viscosity (Ford Cup #4)
●				< 18 sec
	●	●	●	18 - 26 sec
				26 - 33 sec
✓ - Ideal for this material application ● - Suitable for this material application				

ACCESSORIES



015001
Super Lube



SEL.11
Spray Gun
Cleaning
Kit



6225052
Green 60 micron filter
6225100
Blue 120 micron filter
6225340
White 240 micron filter

622538
Inline Filter
Holder 3/8"
62251414
Inline Filter
Holder 1/4"



DR5
Spray Gun Regulator
with Gauge



Paper Strainers
PSF50/250 - Fine
PSM50/250 - Medium

Order No.	Description	Fluid Nozzle Size mm	Air Pressure @Gun Inlet bar (psi)	Air Pressure Inside Air Cap bar (psi)	Air Consumption l/min (cfm)	Fluid Output ml/min	Fan Pattern mm	Air Cap No.
LPH10008P	Compact spray gun head only	0.8	2.7 (38)	0.7 (10)	430 (15.2)	100	170	E1
LPH100101P	Compact spray gun head only	1.0	2.7 (38)	0.7 (10)	430 (15.2)	150	200	E1
LPH100131P	Compact spray gun head only	1.3	2.7 (38)	0.7 (10)	430 (15.2)	200	240	E1
LPH100151P	Compact spray gun head only	1.5	2.7 (38)	0.7 (10)	430 (15.2)	200	250	E1