



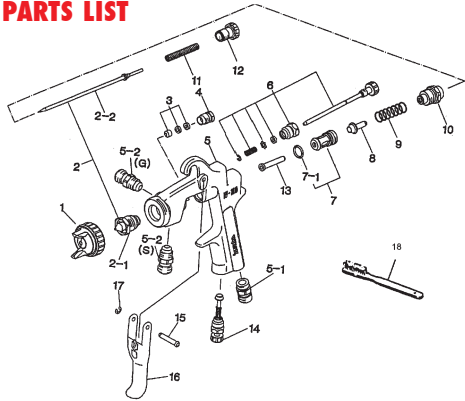
W100

Compact Suction Spray Gun

- High Transfer Efficient - greater than 65% onto the job
- Less overspray = less wastage
- Fine atomization spray pattern
- More paint coverage - fast operation
- New lightweight ergonomic design
- Gun head weight only 320 g
- Perfect for waterborne materials
- Ideal for touch up work in auto refinish industry



PARTS LIST



Item No.	Part No.	Description
1	93803611	Air Cap Set E1 (101)
1	93805611	Air Cap Set K1 (131, 151)
1	93800611	Air Cap Set H2 (132, 152)
1	93806611	Air Cap Set H4 (134)
1	93808611	Air Cap Set N1 (181)
1A	93576530 #	Air Cap Cover Ring - Black
1B	93608320 #	Cap Packing - White
2	93506610	Fluid Nozzle 1.0mm
2	93501610	Fluid Nozzle 1.3mm
2	93509610	Fluid Nozzle 1.5mm
2	93511610	Fluid Nozzle 1.8mm
2-2	93537600	Fluid Needle 0.8, 1.0mm

Item No.	Part No.	Description
2-2	93578530	Fluid Needle 1.3, 1.5mm
2-2	93703530 #	Fluid Needle 1.8mm
3	93834530	Needle Packing Set
4	93581531	Needle Packing Seat
5	93802610	Body Set, Suction/Pressure
5	93812610	Body Set, Gravity
5-1	93660300	Air Hose Joint
5-2	93584530	Fluid Nipple
6	93842531	Fan Pattern Adjust Set
7	93843530	Air Valve Seat Set
7-1	96638008 #	O Ring
8	93591530	Air Valve
9	93719530	Air Valve Spring
10	93844531	Fluid Adjust Guide
11	93593530	Fluid Needle Spring
12	93594532	Fluid Adjust Knob
13	93595530	Air Valve Shaft
14	93845531	Air Adjust Stud
15	93667360	Trigger Stud
16	93597530 #	Trigger
17	93912030	E Stopper (pkt 2)
18	96990600	Brush
	K100	Spanner
	W100RSK	W100 & LPH100 Reservice Kit includes items with #

Item No.	W100101SC	W100131SC	W100132SC	W100134SC	W100151SC	W100152SC	W100181SC	MAIN APPLICATION
	●	●	✓	●				Auto-Refinish - Furniture
						✓	●	Material Type
								Etch Primer
								Primer - 1K
								Filling Primer - 2K
								Spray Putty
	●	●	✓	●	●	●		Stain
			●	●	●	✓		Lacquer - Furniture
					●	✓	●	Acrylic Lacquer
	●	✓	●		●			Enamel - Air Dry
	●	●				✓		Polyurethane/Urethane
	●	✓			●			Top Coat Solid Colour - 2K
	●	✓			●			Base Coat - 2K
	●	✓			●			Base Coat - Waterborne
	●	✓			●			Clear Coat - 2K
						✓		High Solids - 2K (80-85%)
							●	Contact Adhesive
							●	Epoxy
								High Build Epoxy
								Zinc
								Chlorinated Rubber
								Paint Viscosity (Ford Cup #4)
	●	●	●	●				< 18 sec
		●	●	●	●	●		18 - 26 sec
						●		26 - 33 sec

- ✓ - Ideal for this material application
- - Suitable for this material application

ACCESSORIES



015001
Super Lube



SEL.11
Spray Gun
Cleaning
Kit



SEL.5
Spray Gun
Filters



DR5
Spray Gun
Regulator with
Gauge



LA.700
700 ml
Metal Pot

Order No.	Description	Fluid Nozzle Size mm	Air Pressure @Gun Inlet bar (psi)	Air Consumption l/min (cfm)	Fluid Output ml/min	Fan Pattern mm	Air Cap No.
W100101SC	Spray gun & PCL.7B.2 700 ml pot	1.0	2.5 (36)	75 (2.6)	85	120	E1
W100131SC	Spray gun & PCL.7B.2 700 ml pot	1.3	2.5 (36)	145 (5.1)	150	155	K1
W100132SC	Spray gun & PCL.7B.2 700 ml pot	1.3	2.5 (36)	225 (7.9)	150	160	H2
W100134SC	Spray gun & PCL.7B.2 700 ml pot	1.3	2.0 (28)	210 (7.9)	140	180	H4
W100151SC	Spray gun & PCL.7B.2 700 ml pot	1.5	2.5 (36)	145 (5.1)	175	170	K1
W100152SC	Spray gun & PCL.7B.2 700 ml pot	1.5	2.5 (36)	225 (7.9)	170	175	H2
W100181SC	Spray gun & PCL.7B.2 700 ml pot	1.8	2.5 (36)	150 (5.3)	210	170	N1