

AZ10HTE

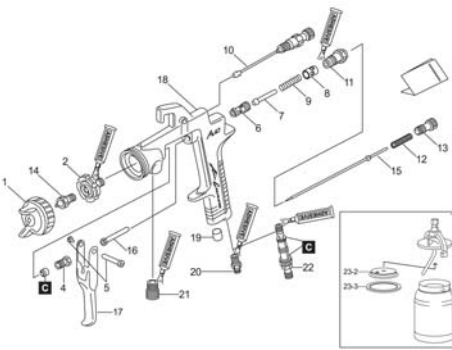
Pressure Feed Spray Gun



Air Gun

- High Transfer Efficient - greater than 65% paint on the job
- Less overspray = less wastage
- Fine atomization spray pattern
- More paint coverage - fast operation
- Light weight ergonomic design
- Gun head weighs only 480 g
- Ideal for waterborne material
- Built in inlet air control
- Easy clean teflon coated body
- High quality economic spray gun - ideal for medium to large jobs
- Tungsten carbide setups available for the spraying of abrasive materials

PARTS LIST



Item No.	Part No.	Description
1	2SUB000110	Air Cap 1.0 mm
1	2SUB000113	Air Cap 1.3 mm
1	2SUB000115	Air Cap 1.5 mm
1	2SUB000118	Air Cap 1.8 mm
1	2SUB000120	Air Cap 2.0 mm
1	2SUB000125	Air Cap 2.5 mm
1	2SUB000130	Air Cap 3.0 mm
2	2COM3003	Nozzle Holder
4	2COM3011	Needle Packing Nut

Item No.	Part No.	Description
5	2COM4001	Trigger Stud
7	2COM2004	Air Valve
8	2COM3006	Bushing
9	2COM6001	Air Valve Spring
10	2PAT10AG	Pattern Adj Set
11	2SUB3012	Fluid Needle Guide
12	2COM6002	Needle Spring
13	2COM3007	Fluid Needle Adj
14 & 15	2ADU14AG10	Need / Nozz 1.0 mm
14 & 15	2ADU14AG13	Need / Nozz 1.3 mm
14 & 15	2ADU14AG15	Need / Nozz 1.5 mm
14 & 15	2ADU14AG18	Need / Nozz 1.8 mm
14 & 15	2ADU14AG20	Need / Nozz 2.0 mm
14 & 15	2ADU14AG25	Need / Nozz 2.5 mm
14 & 15	2ADU10AG30	Need / Nozz 3.0 mm
16	2COM4000	Air Valve Shaft
17	2COM6004	Trigger
20	2COM5000	Air Nipple
22	2SUB6007	Air Control Valve
23	LA.1000	Suction Pot
23-2	LA.1000D	Dripless Insert 2 pk
23-3	94904310	Lid Packing 2 pk
C	AZ10RSK	Service Kit

ACCESSORIES



015001
Super Lube



SEL.11
Spray Gun
Cleaning
Kit



6225052
Green 60 micron filter
6225100
Blue 120 micron filter
6225340
White 240 micron filter

622538
Inline Filter
Holder 3/8"
62251414
Inline Filter
Holder 1/4"



DR5
Spray Gun
Regulator
with
Gauge



Paper Strainers
PSF50/250 - Fine
PSM50/250 - Medium

AZ10HTE10	AZ10HTE13	AZ10HTE15	AZ10HTE18	AZ10HTE20	AZ10HTE25	MAIN APPLICATION Furniture Industry Industrial
●	✓					Material Type
		✓	●			Etch Primer
						Primer - 1K
				✓	●	Filling Primer - 2K
					●	Spray Putty
●	✓					Stain
		●	✓	●		Lacquer - Furniture
			●	✓		Acrylic Lacquer
●	✓	●	●			Enamel - Air Dry
●	✓	●				Polyurethane/Urethane
●		✓				Top Coat Solid Colour - 2K
●						Base Coat - 2K
●						Base Coat - Waterborne
●	✓					Clear Coat - 2K
		✓	●			High Solids - 2K (80-85%)
		●	✓	●		Contact Adhesive
			●	✓		Epoxy
			●	✓		High Build Epoxy
				✓		Zinc
				●		Chlorinated Rubber
						Paint Viscosity (Ford Cup #4)
●	●					< 18 sec
●	●	●	●			18 - 26 sec
				●	●	26 - 33 sec

- ✓ - Ideal for this material application
- - Suitable for this

TECHNICAL

Order No.	Description	Fluid Nozzle Size mm	Air Pressure @Gun Inlet bar (psi)	Air Consumption l/min (cfm)	Fluid Output ml/min	Fan Pattern mm
AZ10HTE10	Spray gun head only	1.0	2.5 (36)	210 (7.4)	150	200
AZ10HTE13	Spray gun head only	1.3	2.5 (36)	210 (7.4)	200	230
AZ10HTE15	Spray gun head only	1.5	2.5 (36)	210 (7.4)	200	240
AZ10HTE18	Spray gun head only	1.8	2.5 (36)	280 (9.8)	250	280
AZ10HTE20	Spray gun head only	2.0	2.5 (36)	280 (9.8)	250	290
AZ10HTE25	Spray gun head only	2.5	2.5 (36)	290 (10)	300	300