

W200

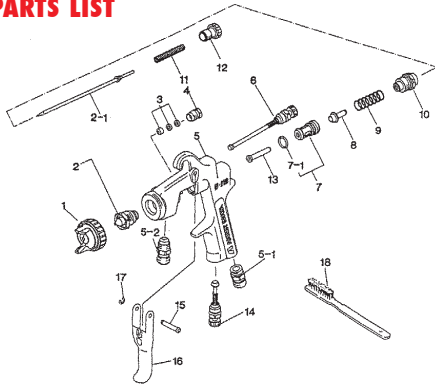
Suction Feed Spray Gun



- High Transfer Efficient - greater than 65% onto the job
- High atomization
- Even paint coverage - fast operation
- Light weight - ergonomic design
- Gun head weighs only 380 g
- Ideal for waterborne materials
- Easy cleaning
- Medium to large paint jobs



PARTS LIST



Item No.	Part No.	Description
1	93818611	Air Cap Set G2P(122)
1	93817611	Air Cap Set K1 (151)
1	93816611	Air Cap Set K2 (152, 182)
1	93815611	Air Cap Set R1 (201)
1	93814611	Air Cap Set R2 (202)
1	93813611	# Air Cap Set W1 (251)
1A	93512600	# Air Cap Cover Ring - Black
1B	93708240	Air Cap Packing - White
2	93527610	Fluid Nozzle 1.2mm
2	93526610	Fluid Nozzle 1.5mm
2	93525610	Fluid Nozzle 1.8mm
2	93524610	Fluid Nozzle 2.0mm

Item No.	Part No.	Description
2	93523610	Fluid Nozzle 2.5mm
2-1	93829600	Fluid Needle 1.2mm
2-1	93830600	Fluid Needle 1.5mm
2-1	93831600	Fluid Needle 1.8, 2.0mm
2-1	93832600	Fluid Needle 2.5mm
3	93834530	# Needle Packing Set
4	93581531	Needle Packing Seat
5	93826610	Body Set, Suction/Pressure
5-1	93660300	Air Hose Joint
5-2	93515600	Fluid Nipple
6	93840601	Fan Pattern Adjust Set
7	93843530	Air Valve Seat Set
7-1	96638008	# O Ring
8	93591530	Air Valve
9	93719530	Air Valve Spring
10	93844531	Fluid Adjust Guide
11	93593530	Fluid Needle Spring
12	93594532	Fluid Adjust Knob
13	93595530	Air Valve Shaft
14	93845531	Air Adjust Set
15	93667360	Trigger Stud
16	93517600	Trigger
17	93912030	# E Stopper (pkt 2)
18	96990600	Brush
	K100	Spanner
	W200RSK	Reservice kit includes items with #

W200151SC	W200152SC	W200182SC	W200201SC	W200202SC	W200251SC	MAIN APPLICATION Auto-Refinish - Industrial
●	✓	●	●	✓	●	Material Type
		●	●	✓		Etch Primer
			●		✓	Primer - 1K
						Filling Primer - 2K
						Spray Putty
●	✓	●				Stain
		●	●	✓		Lacquer - Furniture
		●	●	✓		Acrylic Lacquer
●	✓	●				Enamel - Air Dry
✓						Polyurethane/Urethane
✓						Top Coat Solid Colour - 2K
✓						Base Coat - 2K
✓						Base Coat - Waterborne
✓						Clear Coat - 2K
✓		●				High Solids - 2K (80-85%)
		●		✓	●	Contact Adhesive
				✓	●	Epoxy
				●	✓	High Build Epoxy
						Zinc
						Chlorinated Rubber
						Paint Viscosity (Ford Cup #4)
●	●					< 18 sec
		●	●	●		18 - 26 sec
				●		26 - 33 sec

✓ - Ideal for this material application
 ● - Suitable for this material application

ACCESSORIES



LA.1000
Cormack
1000 ml Pot



PCL.10B.3
Anest Iwata
1000 ml Pot



SEL.11
Spray Gun
Cleaning
Kit



SEL.5
Paint Filters



015001
Super Lube

TECHNICAL	Fluid Nozzle Size mm	Air Pressure @Gun Inlet bar (psi)	Air Consumption l/min (cfm)	Fluid Output ml/min	Fan Pattern mm	Air Cap No.
W200151SC	Spray gun & PCL.10B.3 1 litre pot	1.5	3.0 (43)	200 (7.1)	240	K1
W200152SC	Spray gun & PCL.10B.3 1 litre pot	1.5	3.0 (43)	330 (11.7)	240	K2
W200182SC	Spray gun & PCL.10B.3 1 litre pot	1.8	3.0 (43)	330 (11.7)	290	K2
W200201SC	Spray gun & PCL.10B.3 1 litre pot	2.0	3.0 (43)	260 (9.2)	350	R1
W200202SC	Spray gun & PCL.10B.3 1 litre pot	2.0	3.0 (43)	360 (12.7)	350	R2
W200251SC	Spray gun & PCL.10B.3 1 litre pot	2.5	3.0 (43)	360 (12.7)	440	W1