

W200WB

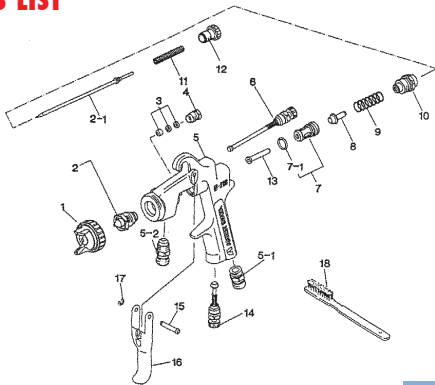
Pressure Feed Spray Gun



- High Transfer Efficient - greater than 65% onto the job
- High atomization
- Even paint coverage - fast operation
- Light weight - ergonomic design
- Gun head weighs only 380 g
- Ideal for waterborne materials
- Easy to clean chrome body
- Medium to large paint jobs



PARTS LIST



Item No.	Part No.	Description
1	93609620	Air Cap W200WB1
2+2-1	93616620	Pressure Nozzle Needle Set W200WB
3	93834530	# Needle Packing Set
4	93581531	Needle Packing Seat
5	93826610	Body Set, Suction/Pressure
5-1	93660300	Air Hose Joint
5-2	93515600	Fluid Nipple
6	93840601	Fan Pattern Adjust Set
7	93843530	Air Valve Seat Set
7-1	96638008	# O Ring
8	93591530	Air Valve

Item No.	Part No.	Description
9	93719530	Air Valve Spring
10	93844531	Fluid Adjust Guide
11	93593530	Fluid Needle Spring
12	93594532	Fluid Adjust Knob
13	93595530	Air Valve Shaft
14	93845531	Air Adjust Set
15	93667360	Trigger Stud
16	93517600	Trigger
17	93912030	# E Stopper (pkt 2)
18	96990600	Brush
	K100	Spanner
	W200RSK	Reservice kit includes items with #

W200WB121P	MAIN APPLICATION Furniture Industrial Material Type
	Etch Primer
	Primer - 1K
	Filling Primer - 2K
	Spray Putty
✓	Stain
✓	Lacquer - Furniture
●	Acrylic Lacquer
✓	Enamel - Air Dry
✓	Polyurethane/Urethane
●	Top Coat Solid Colour - 2K
●	Base Coat - 2K
●	Base Coat - Waterborne
●	Clear Coat - 2K
●	High Solids - 2K (80-85%)
●	Contact Adhesive
	Epoxy
	High Build Epoxy
	Zinc
	Chlorinated Rubber
	Paint Viscosity (Ford Cup #4)
	< 18 sec
●	18 - 26 sec
	26 - 33 sec
✓	- Ideal for this material application
●	- Suitable for this material application

ACCESSORIES



015001
Super Lube



SEL 11
Spray Gun
Cleaning
Kit



6225052
Green 60 micron filter
6225100
Blue 120 micron filter
6225340
White 240 micron filter

622538
Inline Filter
Holder 3/8"
62251414
Inline Filter
Holder 1/4"



DR5
Spray Gun
Regulator with
Gauge



AC01
Impact Controller

TECHNICAL		Fluid Nozzle Size mm	Air Pressure @Gun Inlet bar (psi)	Air Consumption l/min (cfm)	Fluid Output ml/min	Fan Pattern mm	Air Cap No.
Order No.	Description						
W200WB121P	Spray gun head only	1.2	1.6 (23)	340 (12)	300	380	WB1