

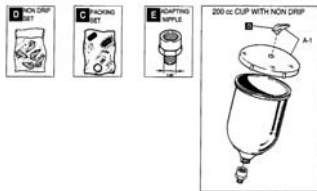
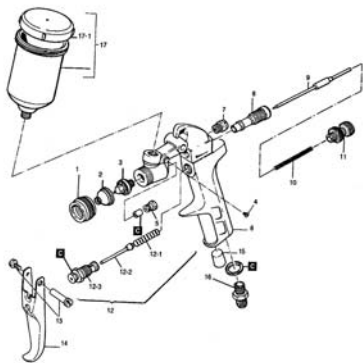
AZ5

Compact Gravity Feed Spray Gun



Air-Gun

PARTS LIST



Item No.	Part No.	Description
2	2011140700	Air Cap 0.5 mm
3+9	2012330900	Fluid Needle+Fluid Nozzle Set 0.5mm
1	2011140100	Air Cap Cover
4	2COM5004	Screw
5	2011131100	Needle Packing Nut
7	2010940500	Plug
8	2010940600	Fluid Needle Guide
10	2012340400	Fluid Needle Spring
11	2012331500	Fluid Adj. Knob

Item No.	Part No.	Description
12	2012320200	Air Valve Set
12-1	2010942100	Air Valve Spring
12-2	2012331600	Air Valve
12-3	2010930400	Air Valve Seat Set
13	2COM4008	Trigger Stud
14	2010941800	Trigger
15	2COM6003	Plug
16	2052191414	Air Nipple G 1/4" M
C	2500100400	Packing Set
17	0012320100	Gravity Cup 70 cc
17-1	2011145100	Lid
A	0010920900	Gravity 200 cc
A-1	2COM1009	Lid + Non Drip
D	2KIT07	Non Drip Set 5 pcs
E	2052591812	Adapting Nipple

- High Transfer Efficient - greater than 65% onto the job
- Round spot pattern spray gun
- Easy clean teflon® coated body
- Light weight ergonomic design
- Gun weighs only 372 g
- Ideal for touch up work in the auto refinish industry
- Perfect for spraying liquid body tanning lotion

AZ505C	MAIN APPLICATION
	Auto-Refinish/Beauty
	Material Type
✓	Spray Tanning
	Primer - 1K
	Filling Primer - 2K
	Spray Putty
●	Stain
●	Lacquer - Furniture
●	Acrylic Lacquer
	Enamel - Air Dry
	Polyurethane/Urethane
●	Top Coat Solid Colour - 2K
●	Base Coat - 2K
●	Base Coat - Waterborne
	Clear Coat - 2K
	High Solids - 2K (80-85%)
	Contact Adhesive
	Epoxy
	High Build Epoxy
	Zinc
	Chlorinated Rubber
	Paint Viscosity (Ford Cup #4)
●	< 18 sec
	18 - 26 sec
	26 - 33 sec
✓	- Ideal for this material application
●	- Suitable for this material application

ACCESSORIES



015001
Super Lube



SEL.11
Spray Gun
Cleaning
Kit



GG5
Gravity Gun
Stand



IS925
Compressor

TECHNICAL

Order No.	Description	Fluid Nozzle Size mm	Air Pressure @Gun Inlet bar (psi)	Air Consumption l/min (cfm)	Fluid Output ml/min	Fan Pattern mm
AZ505C	Spray gun & 70 ml pot	0.5	3 (42)	60	26.9	50