



# RG3L

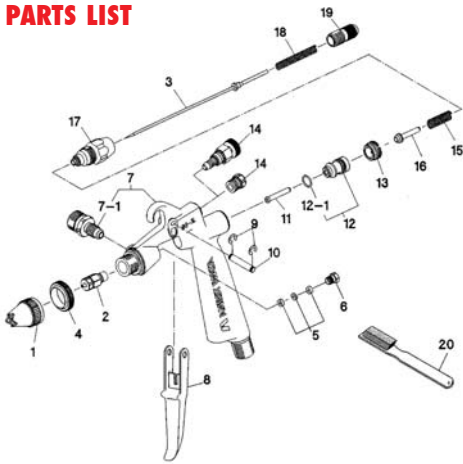
## Compact Gravity Feed Spray Gun



- Fine atomization spray pattern
- Light weight ergonomic design
- Round spray pattern 3 - 35 mm diameter
- Ideal for murals, studio work & spray tanning
- Optional fan pattern cap (80 mm) for 0.6 nozzle
- Gun head weighs only 180 g



### PARTS LIST



Item No.	Part No.	Description
1	93022890	Air Cap RG 3L 1 0.4 mm
1	93025880	Air Cap RG 3L 2 0.6 mm
1	93026880	Air Cap RG 3L 3 1.0 mm
	93023880	Fan Air Cap for 0.6 setup
2	93042880	Fluid Nozzle RG 3L 1 0.4 mm
2	93041880	Fluid Nozzle RG 3L 2 0.6 mm
2	93040890	Fluid Nozzle RG 3L 3 1.0 mm
3	93910880	Fluid Needle Set RG 3L 1 0.4 mm
3	93937880	Fluid Needle Set RG 3L 2 0.6 mm
3	93938880	Fluid Needle Set RG 3L 3 1.0 mm
4	93028890	Jam Nut

Item No.	Part No.	Description
5	93940880	# Fluid Needle Packing Set
6	93001890	Needle Packing Seat
7	93911880	Gun Body Set
7-1	93005890	Fluid Nipple
8	93162890	Trigger
9	93912030	# E Stopper
10	93167890	Trigger Stud
11	93006880	Air Valve Shaft
12	93912880	Air Valve Seat Set
12-1	96638005	# O Ring
13	93011880	Air Valve Seat Screw
14	93027880	Plug (Standard)
14	93939880	Air Adj Set (Optional)
15	93012880	Air Valve Spring
16	93013880	Air Valve
17	93936880	Fluid Adj Guide Set
18	93015880	Needle Spring
19	93017880	Fluid Adj Knob
20	96990600	Brush
	RG3LRSK	Service kit includes items #

### ACCESSORIES



**IS925**  
Compressor



**015001**  
Super Lube



**SEL 11**  
Spray Gun  
Cleaning  
Kit



**PC.52**  
200 ml  
Nylon Pot



**PC.61**  
130 ml  
Stainless Steel  
Pot

RG-3L-1C	RG-3L-2C	RG-3L-3C	MAIN APPLICATION Auto-Refinish/Beauty
	✓		<b>Material Type</b>
			Spray Tanning
		●	Etch Primer
		●	Primer - 1K
			Filling Primer - 2K
			Spray Putty
●	●	✓	Stain
●	✓	●	Lacquer - Furniture
●	✓	●	Acrylic Lacquer
		●	Enamel - Air Dry
		●	Polyurethane/Urethane
		●	Top Coat Solid Colour - 2K
	●	●	Base Coat - 2K
	●	●	Base Coat - Waterborne
	●	●	Clear Coat - 2K
			High Solids - 2K (80-85%)
			Contact Adhesive
			Epoxy
			High Build Epoxy
			Zinc
			Chlorinated Rubber
			<b>Paint Viscosity (Ford Cup #4)</b>
●	●	●	< 18 sec
			18 - 26 sec
			26 - 33 sec
			✓ - Ideal for this material application
			● - Suitable for this material application

### TECHNICAL

Order No.	Description	Fluid Nozzle Size mm	Air Pressure @Gun Inlet bar (psi)	Air Usage l/min (cfm)	Fluid Output ml/min	Fan Pattern mm	Air Cap
<b>RG.3L.1C</b>	Spray gun & PC.61 130 ml pot	0.4	2.5 (36)	30 (1.1)	15	25	1
<b>RG.3L.2C</b>	Spray gun & PC.61 130 ml pot	0.6	2.5 (36)	30 (1.1)	35	35	2
<b>RG.3L.3C</b>	Spray gun & PC.61 130 ml pot	1.0	2.5 (36)	50 (1.4)	80	35	3