

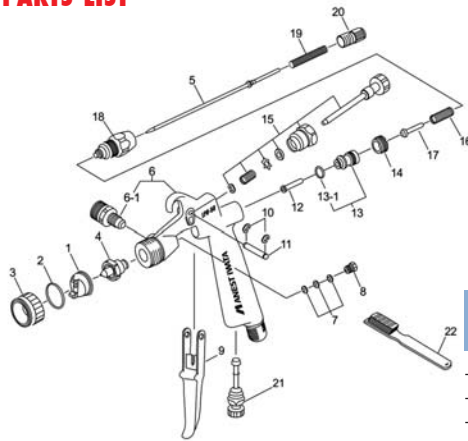
LPH50

Compact Gravity Feed Spray Gun



- High Transfer Efficient - greater than 65% paint onto job
- Less overspray = less wastage
- Fine atomization spray pattern
- Light weight ergonomic design
- Ideal for waterborne materials
- Built in air control
- Fan pattern control
- Ideal for small touch up work in the automotive industry
- Gun head weighs only 220 g

PARTS LIST



HVLP

Item No.	Part No.	Description
1	93557600	Air Cap
2	93558600	# Packing
3	93559600	Cover
4	93560600	Fluid Nozzle LPH50-102G 1.0 mm
4	93568600	Fluid Nozzle LPH50-062G 0.6 mm
4	93570600	Fluid Nozzle LPH50-042G 0.4 mm
5	93886600	Fluid Needle Set - 102 G
5	93890600	Fluid Needle Set - 062 G
5	93891600	Fluid Needle Set - 042 G
6	93887600	Body Set
6-1	93005890	Fluid Nipple

Item No.	Part No.	Description
7	93940880	# Needle Packing Set
8	93001890	Needle Packing Seat
9	93162890	Trigger
10	93912030	# E Stopper
11	93167890	Trigger Stud
12	93006880	Air Valve Shaft
13	93912880	Air Valve Seat Set
13-1	96638005	# O Ring
14	93011880	Air Valve Seat Screw
15	93888600	Pattern Adj. Set
16	93012880	Air Valve Spring
17	93013880	Air Valve
18	93936880	Fluid Adj. Guide
19	93015880	Fluid Needle Spring
20	93017880	Fluid Adj. Knob
21	93845531	Air Adj. Set
22	96990600	Brush
		LPH5ORSK Reservice kit includes items #

ACCESSORIES



015001
Super Lube



SEL.11
Spray Gun
Cleaning
Kit



PC.52
200 ml
Nylon Pot



PC.61
130 ml
Stainless Steel
Pot



PCG.4S
400 ml
metal pot

LPH50042GC	LPH50062GC	LPH50102GC	MAIN APPLICATION Auto-Refinish
			Material Type
			● Etch Primer
			● Primer - 1K
			Filling Primer - 2K
			Spray Putty
●	●	✓	Stain
	●	✓	Lacquer - Furniture
	●	●	Acrylic Lacquer
	●	✓	Enamel - Air Dry
		●	Polyurethane/Urethane
		●	Top Coat Solid Colour - 2K
	●	●	Base Coat - 2K
		●	Base Coat - Waterborne
	●	●	Clear Coat - 2K
		●	High Solids - 2K (80-85%)
		●	Contact Adhesive
		●	Epoxy
		●	High Build Epoxy
		●	Zinc
		●	Chlorinated Rubber
		●	Paint Viscosity (Ford Cup #4)
●	●	●	< 18 sec
		●	18 - 26 sec
		●	26 - 33 sec
			✓ - Ideal for this material application
			● - Suitable for this material application

TECHNICAL

Order No.	Description	Fluid Nozzle Size mm	Air Pressure @Gun Inlet bar (psi)	Air Usage l/min (cfm)	Fluid Output ml/min	Fan Pattern mm
LPH50042GC	Spray gun & PC.52 200 ml pot	0.4	0.7 (10)	50 (1.8)	8	40
LPH50062GC	Spray gun & PC.52 200 ml pot	0.6	0.7 (10)	50 (1.8)	25	60
LPH50102GC	Spray gun & PC.52 200 ml pot	1.0	0.7 (10)	50 (1.8)	55	100