

NEW-71

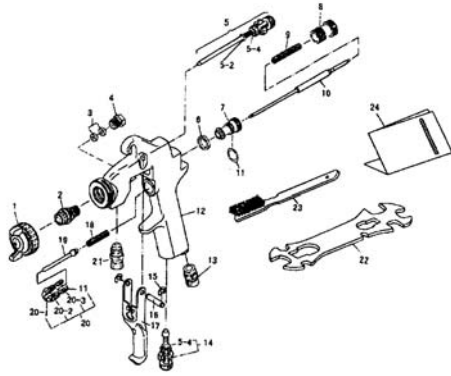
Compact Gravity Side Feed Spray Gun



- A well balanced general purpose spray gun
- Polished body for easy cleaning
- Built-in air adjuster
- Comfortable to use
- High atomization
- Excellent manoeuvrability
- Small to medium paint jobs



PARTS LIST



Item No.	Part No.	Description
3	93906110	Fluid Needle Pk Set
4	93067082	Needle Pk Nut
5	939090805	Patern Adj. Set
6	93908100	Gasket 2 Pcs
7	93064081	Needle Guide
8	93102081	Fluid Adj. Knob
9	93069081	Needle Valve Spring
10	93927090	Fluid Needle 2
10	93928090	Fluid Needle 3
10	93917090	Fluid Needle 0
10	93924100	Fluid Needle 1
11	96638008	O-Ring
12	93022080	Gun Body Suction
12	93018090	Gun Body Gravity
13	93010080	Air Nipple
14	93907081	Air Adj. Set
15	93912030	E Stopper Set 2 Pcs
16	93167080	Trigger Stud
17	93162080	Trigger
18	93088082	Air Valve Spring
19	93081081	Air Valve
20	93930090	Air Valve Seat Set
20-1	93086082	Air Valve Pk Seat
20-2	93083082	Air Valve Seat
20-3	93909101	Air Valve Pk 2 Pcs
21	93161082	Fluid Nipple
22		Spanner
23		Brush
24		Instruction Manual

Item No.	Part No.	Description
1	93954080	Air Cap Set 1C
1	93948090	Air Cap Set 2C
1	93949090	Air Cap Set 3C
2	93046080	Fluid Nozzle 1
2	93039110	Fluid Nozzle 2
2	93044080	Fluid Nozzle 3
3	93906110	Fluid Needle Pk Set
4	93067082	Needle Pk Nut

NEW71.1GLA	NEW71.2GLA	NEW71.3GLA	MAIN APPLICATION Auto-Refinish/ Industrial/Furniture
●	●		Material Type
		✓	Etch Primer
			Primer - 1K
			Filling Primer - 2K
			Spray Putty
●			Stain
	✓	●	Lacquer - Furniture
		✓	Acrylic Lacquer
	●	✓	Enamel - Air Dry
●	✓	●	Polyurethane/Urethane
	●	✓	Top Coat Solid Colour - 2K
	✓	●	Base Coat - 2K
	✓	●	Base Coat - Waterborne
●	✓		Clear Coat - 2K
			High Solids - 2K (80-85%)
			Contact Adhesive
			Epoxy
			High Build Epoxy
			Zinc
			Chlorinated Rubber
			Paint Viscosity (Ford Cup #4)
●			< 18 sec
	●	●	18 - 26 sec
			26 - 33 sec
			✓ - Ideal for this material application
			● - Suitable for this material application

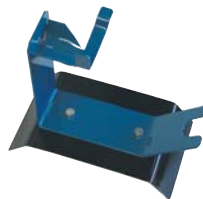
ACCESSORIES



015001
Super Lube



SEL.11
Spray Gun
Cleaning
Kit



GGS.SM
Gravity
Gun Stand



LA.400S
400 ml
Metal Pot
With Stand

TECHNICAL	Fluid Nozzle Size mm	Air Pressure @Gun Inlet bar (psi)	Air Consumption l/min (cfm)	Fluid Output ml/min	Fan Pattern mm	Air Cap No.
NEW71.1GLA	1.0	3 (44)	75 (2.7)	110	120	1C
NEW71.2GLA	1.3	3 (44)	85 (3)	155	155	2C
NEW71.3GLA	1.5	3 (44)	165 (5.8)	210	185	3C