

# W101

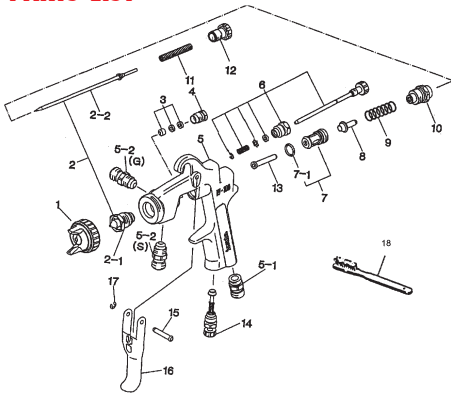
## Side Gravity Feed Spray Gun



- High Transfer Efficient - greater than 65% onto the job
- Less overspray = less wastage
- Fine atomization spray pattern
- More paint coverage - fast operation
- New lightweight ergonomic design
- New lighter weight gun head only 295 g
- Perfect for waterborne materials
- 360° swivel on pot, great for horizontal or vertical spraying
- Ideal for touch up work in auto refinish industry



### PARTS LIST



Item No.	Part No.	Description
1	93735610	Air Cap Set K1 (131, 151)
1	93700610	Air Cap Set N1 (181)
1	93689610	Air Cap Set E1 (101)
1	93696610	Air Cap Set H2 (132, 152)
1	93662610	Air Cap Set H4 (134)
1A	93576530	# Air Cap cover Ring - Black
1B	93608320	# Cap Packing - White
2	93691610	Nozzle / Needle Set 1.0 mm
2	93666610	Nozzle / Needle Set 1.3 mm
2	93698610	Nozzle / Needle Set 1.5 mm
2	93702610	Nozzle / Needle Set 1.8 mm

Item No.	Part No.	Description
2-1	93692610	Fluid Nozzle 1.0 mm
2-1	93667610	Fluid Nozzle 1.3 mm
2-1	93699610	Fluid Nozzle 1.5 mm
2-1	93703610	Fluid Nozzle 1.8 mm
3	93834530	# Needle Packing Set
4	93581531	Needle Packing Seat
5	93693610	Gun Body - Gravity
5-1	93660300	Air Hose Joint
5-2	93584530	Fluid Nipple
6	93842531	Fan Pattern Adjust Set
7	93843530	Air Valve Seat Set
8	9663800	# O Ring
9	93591530	Air Valve
10	93719530	Air Valve Spring
11	93844531	Fluid Adjust Guide
12	93593530	Fluid Needle Spring
13	93594532	Fluid Adjust Knob
14	93595530	Air Valve Shaft
15	93845531	Air Adjust Set
16	93667360	Trigger Stud
17	93597530	Trigger
18	93912030	# E Stopper 96990600 Brush
K100		Spanner ( not shown )
W101RSK		Reservice Kit includes parts marked #

W101101GC	W101131GC	W101132GC	W101134GC	W101151GC	W101152GC	W101181GC	MAIN APPLICATION
●	●	✓					<b>Auto-Refinish - Furniture</b>
							<b>Material Type</b>
				●	✓	●	Etch Primer
							Primer - 1K
		✓	●				Filling Primer - 2K
							Spray Putty
●	●	✓	●				Stain
				●	✓		Lacquer - Furniture
				●	●	✓	Acrylic Lacquer
		●	●	✓	✓		Enamel - Air Dry
●	●	✓	●				Polyurethane/Urethane
		●	✓	●	●		Top Coat Solid Colour - 2K
●	●	✓					Base Coat - 2K
●	●	✓					Base Coat - Waterborne
			●	●	✓		Clear Coat - 2K
			●	●	✓		High Solids - 2K (80-85%)
							Contact Adhesive
							Epoxy
							High Build Epoxy
							Zinc
							Chlorinated Rubber
							<b>Paint Viscosity (Ford Cup #4)</b>
●	●	●	●				< 18 sec
	●	●	●	●			18 - 26 sec
				●			26 - 33 sec
							✓ - Ideal for this material application
							● - Suitable for this material application

### ACCESSORIES



**015001**  
Super Lube



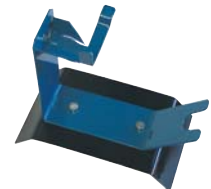
**SEL.11**  
Spray Gun  
Cleaning  
Kit



**PCG.4S**  
400 ml  
metal pot



**PC.5**  
250 ml  
metal pot



**GGS.SM**  
Gravity  
Gun Stand

Order No.	Description	Fluid Nozzle Size mm	Air Pressure @Gun Inlet bar (psi)	Air Consumption l/min (cfm)	Fluid Output ml/min	Fan Pattern mm	Air Cap No.
<b>W101101GC</b>	Spray gun & PC.52 200 ml pot	1.0	2.5 (36)	75 (2.6)	95	130	E1
<b>W101131GC</b>	Spray gun & PC.52 200 ml pot	1.3	2.5 (36)	145 (5.1)	160	170	K1
<b>W101132GC</b>	Spray gun & PC.52 200 ml pot	1.3	2.5 (36)	225 (7.9)	160	175	H2
<b>W101134GC</b>	Spray gun & PC.52 200 ml pot	1.3	2.0 (28)	210 (7.4)	155	205	H4
<b>W101151GC</b>	Spray gun & PC.52 200 ml pot	1.5	2.5 (36)	145 (5.1)	200	180	K1
<b>W101152GC</b>	Spray gun & PC.52 200 ml pot	1.5	2.5 (36)	225 (7.9)	190	190	H2
<b>W101181GC</b>	Spray gun & PC.52 200 ml pot	1.8	2.5 (36)	150 (5.3)	240	190	N1