

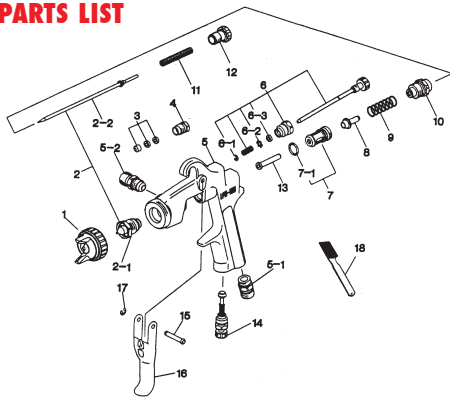
LPH100LV

Side Feed Spray Gun



- High Transfer Efficient - greater than 65% onto the job
- Less overspray = less wastage
- Fine atomization spray pattern
- More paint coverage - fast operation
- New lightweight ergonomic design
- Gun head weight only 320 g
- Perfect for waterborne materials
- Easy to clean chrome body
- 360° swivel on pot, great for horizontal or vertical spraying
- Ideal for touch up work in auto refinish industry

PARTS LIST



HVLP

Item No.	Part No.	Description
1	93875601	Air Cap Set LV4 (all models)
1A	93576530	# Air Cap Cover Ring (all models)
1B	93608320	# Cap Packing - White (all models)
2-1	93542600	Fluid Nozzle 1.4 (144 only)
2-1	93544600	Fluid Nozzle 1.2 (124 only)
2-1	93545600	Fluid Nozzle 1.6 (164 only)
2-1	93546600	Fluid Nozzle 1.8 (184 only)
2-2	93537600	Fluid Needle 1.2 (124 only)
2-2	93578530	Fluid Needle 1.4, 1.6 (144, 164)

Item No.	Part No.	Description
2-2	93703530	Fluid Needle 1.8 (184 only)
3	93834530	# Needle Packing Set (all models)
4	93581531	Needle Packing Seat (all models)
5	93802600	Body Set (all models)
5-1	93660300	Air Nipple (all models)
5-2	93584530	Fluid Nipple (all models)
6	93842531	Pattern Adjustment Set (all models)
7	93843530	Air Valve Seat Set (all models)
7-1	96638008	# O Ring (all models)
8	93591530	Air Valve (all models)
9	93719530	Air Valve Spring (all models)
10	93844531	Fluid Adjust Guide Set (all models)
11	93593530	Fluid Needle Spring (all models)
12	93594532	Fluid Adjust Knob (all models)
13	93595530	Air Valve Shaft (all models)
14	93845531	Air Adjust Set (all models)
15	93667360	Trigger Stud (all models)
16	93597530	Trigger (all models)
17	93912030	# E Stopper (2 pcs) (all models)
18	96990600	Brush (all models)
	W100RSK	W100 & LPH100 Reserve Kit includes items with #

LPH100124C	LPH100144C	LPH100164C	LPH100184C	MAIN APPLICATION Auto-Refinish
●	✓	●	●	Material Type
		●	✓	Etch Primer
		●	✓	Primer - 1K
		●		Filling Primer - 2K
	●	●		Spray Putty
●	●			Stain
		●		Lacquer - Furniture
		●		Acrylic Lacquer
	✓	●		Enamel - Air Dry
●	✓	●		Polyurethane/Urethane
●	✓	●		Top Coat Solid Colour - 2K
●	✓	●		Base Coat - 2K
●	✓	●		Base Coat - Waterborne
●	✓	●		Clear Coat - 2K
	✓	●		High Solids - 2K (80-85%)
				Contact Adhesive
				Epoxy
				High Build Epoxy
				Zinc
				Chlorinated Rubber
				Paint Viscosity (Ford Cup #4)
●				< 18 sec
	●	●		18 - 26 sec
		●		26 - 33 sec
	✓			✓ - Ideal for this material application
	●			● - Suitable for this material application

ACCESSORIES



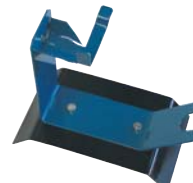
015001
Super Lube



SEL.11
Spray Gun
Cleaning
Kit



PC.52
200 ml
Nylon Pot



GGS.SM
Gravity
Gun Stand



PC.6P.2
600 ml
Nylon Pot

TECHNICAL		Fluid Nozzle Size mm	Air Pressure @Gun Inlet bar (psi)	Air Pressure Inside Air Cap bar (psi)	Air Consumption l/min (cfm)	Fluid Output ml/min	Fan Air Pattern mm	Cap No.
Order No.	Description							
LPH100124C	Spray gun & PC.52 200 ml pot	1.2	1.3 (18)	0.7 (10)	240 (8)	70	190	LV4
LPH100144C	Spray gun & PC.52 200 ml pot	1.4	1.3 (18)	0.7 (10)	240 (8)	80	200	LV4
LPH100164C	Spray gun & PC.52 200 ml pot	1.6	1.3 (18)	0.7 (10)	240 (8)	100	220	LV4
LPH100184C	Spray gun & PC.52 200 ml pot	1.8	1.3 (18)	0.7 (10)	240 (8)	120	210	LV4