

W100

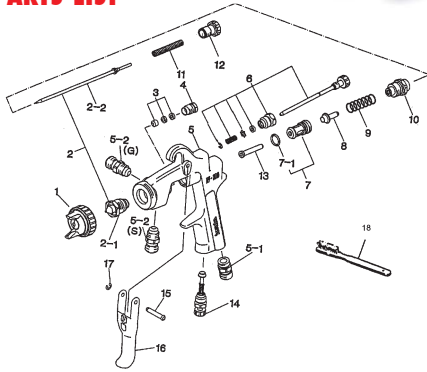
Side Gravity Feed Spray Gun



- High Transfer Efficient - greater than 65% onto the job
- Less overspray = less wastage
- Fine atomization spray pattern
- More paint coverage - fast operation
- New lightweight ergonomic design
- Gun head weight only 320 g
- Perfect for waterborne materials
- 360° swivel on pot, great for horizontal or vertical spraying
- Ideal for touch up work in auto refinish industry



PARTS LIST



| Item No. | Part No. | Description |
|----------|----------|--------------------------------------|
| 1 | 93810611 | Air Cap Set E2P (082, 102, 132, 152) |
| 1 | 93803611 | Air Cap Set E1 (101) |
| 1 | 93805611 | Air Cap Set K1 (131, 151) |
| 1 | 93800611 | Air Cap Set H2 (132, 152) |
| 1 | 93806611 | Air Cap Set H4 (134) |
| 1 | 93808611 | Air Cap Set N1 (181) |
| 1A | 93576530 | # Air Cap Cover Ring - Black |
| 1B | 93608320 | # Cap Packing - White |
| 2 | 93887610 | Nozzle/Needle Set 0.8mm |
| 2-1 | 93506610 | Fluid Nozzle 1.0mm |
| 2-1 | 93501610 | Fluid Nozzle 1.3mm |
| 2-1 | 93509610 | Fluid Nozzle 1.5mm |
| 2-1 | 93511610 | Fluid Nozzle 1.8mm |

| Item No. | Part No. | Description |
|----------|----------|---|
| 2-2 | 93537600 | Fluid Needle 0.8, 1.0mm |
| 2-2 | 93578530 | Fluid Needle 1.3, 1.5mm |
| 2-2 | 93703530 | Fluid Needle 1.8mm |
| 3 | 93834530 | # Needle Packing Set |
| 4 | 93581531 | Needle Packing Seat |
| 5 | 93802610 | Body Set, Suction/Pressure |
| 5 | 93812610 | Body Set, Gravity |
| 5-1 | 93660300 | Air Hose Joint |
| 5-2 | 93584530 | Fluid Nipple |
| 6 | 93842531 | Fan Pattern Adjust Set |
| 7 | 93843530 | Air Valve Seat Set |
| 7-1 | 96638008 | # O Ring |
| 8 | 93591530 | Air Valve |
| 9 | 93719530 | Air Valve Spring |
| 10 | 93844531 | Fluid Adjust Guide |
| 11 | 93593530 | Fluid Needle Spring |
| 12 | 93594532 | Fluid Adjust Knob |
| 13 | 93595530 | Air Valve Shaft |
| 14 | 93845531 | Air Adjust Set |
| 15 | 93667360 | Trigger Stud |
| 16 | 93597530 | Trigger |
| 17 | 93912030 | # E Stopper (pkt 2) |
| 18 | 96990600 | Brush |
| | K100 | Spanner |
| | W100RSK | W100 & LPH100 Reservice Kit includes items with # |

| W100101GC | W100131GC | W100132GC | W100134GC | W100151GC | W100152GC | W100181GC | MAIN APPLICATION |
|-----------|-----------|-----------|-----------|-----------|-----------|-----------|--|
| ● | ● | ✓ | | | | | Auto-Refinish - Furniture |
| | | | | ● | ✓ | ● | Material Type |
| | | | | | | | Etch Primer |
| | | | | | | | Primer - 1K |
| | | ✓ | ● | | | | Filling Primer - 2K |
| | | | | | | | Spray Putty |
| ● | ● | ✓ | ● | | | | Stain |
| | | | | ● | ✓ | | Lacquer - Furniture |
| | | | | ● | ● | ✓ | Acrylic Lacquer |
| | | | | | ✓ | ✓ | Enamel - Air Dry |
| ● | ● | ✓ | ● | | | | Polyurethane/Urethane |
| | | | | ● | ✓ | ● | Top Coat Solid Colour - 2K |
| ● | ● | ✓ | | | | | Base Coat - 2K |
| ● | ● | ✓ | | | | | Base Coat - Waterborne |
| | | | | ● | ● | ✓ | Clear Coat - 2K |
| | | | | | | | High Solids - 2K (80-85%) |
| | | | | | | | Contact Adhesive |
| | | | | | | | Epoxy |
| | | | | | | | High Build Epoxy |
| | | | | | | | Zinc |
| | | | | | | | Chlorinated Rubber |
| | | | | | | | Paint Viscosity (Ford Cup #4) |
| ● | ● | ● | ● | ● | ● | ● | < 18 sec |
| | | | | ● | ● | ● | 18 - 26 sec |
| | | | | | | ● | 26 - 33 sec |
| | | | | | | | ✓ - Ideal for this material application |
| | | | | | | | ● - Suitable for this material application |

ACCESSORIES



015001
Super Lube



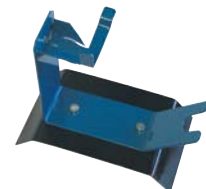
SEL.11
Spray Gun
Cleaning
Kit



PCG.4S
400 ml
metal pot



PC.5
250 ml
metal pot



GGS.SM
Gravity
Gun Stand

| Order No. | Description | Fluid Nozzle Size mm | Air Pressure @Gun Inlet bar (psi) | Air Consumption l/min (cfm) | Fluid Output ml/min | Fan Pattern mm | Air Cap No. |
|------------------|------------------------------|----------------------|-----------------------------------|-----------------------------|---------------------|----------------|-------------|
| W100101GC | Spray gun & PC.52 200 ml pot | 1.0 | 2.5 (36) | 75 (2.6) | 95 | 130 | E1 |
| W100131GC | Spray gun & PC.52 200 ml pot | 1.3 | 2.5 (36) | 145 (5.1) | 160 | 170 | K1 |
| W100132GC | Spray gun & PC.52 200 ml pot | 1.3 | 2.5 (36) | 225 (7.9) | 160 | 175 | H2 |
| W100134GC | Spray gun & PC.52 200 ml pot | 1.3 | 2.0 (28) | 225 (7.9) | 155 | 205 | H4 |
| W100151GC | Spray gun & PC.52 200 ml pot | 1.5 | 2.5 (36) | 145 (5.1) | 200 | 180 | K1 |
| W100152GC | Spray gun & PC.52 200 ml pot | 1.5 | 2.5 (36) | 225 (7.9) | 190 | 190 | H2 |
| W100181GC | Spray gun & PC.52 200 ml pot | 1.8 | 2.5 (36) | 150 (5.3) | 240 | 190 | N1 |