

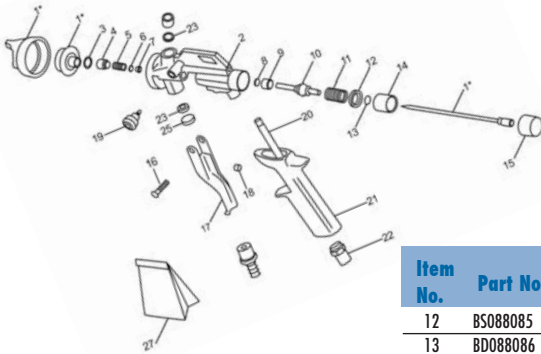
# RV

## Centre Gravity Feed Spray Gun



- Ergonomic designed plastic handle
- Comfortable to use
- High atomization spray pattern
- Gun head weighs only 627 g
- Big one litre metal pot
- Economic gun for spray putties in the auto refinsh industry
- 3.5 mm nozzle - ideal for gel coats

### PARTS LIST



Item No.	Part No.	Description
1	BH088110	Aircap Nozzle Needle 3.5mm
3	BD088198 #	Nozzle O Ring
4	BS088775 #	Needle Packing Holder
5	BA088773 #	Needle Packing Spring
6	BS088774 #	Needle Packing Washer
7	BC088765 #	Needle Packing
8	BD088082 #	Air Valve O Ring
9	BS088084 #	Air Valve O Ring Seat
10	BH088165 #	Air Valve
11	BA108014	Air Valve Spring

Item No.	Part No.	Description
12	BS088085	Air Valve Spring Holder
13	BD088086 #	Air Valve Washer
14	BS088118	Air Valve Seat
15	BI088114	Fluid Control Knob
16	BF088243	Trigger Pin
17	BL088092	Trigger
18	BS088195	Air Valve/Trigger Spacer
19	BH088060	Fan Control Assembly
20	BT088093	Air Pipe
21	BE088563	Handle
22	BS088094	Air Inlet Fitting
23	BE088732	Fluid Inlet O Ring
25	BS088238	Plug
27	BH088534	Service Kit - items with #
	BL088057	Metal Pot Ass'y - 1 litre

RV35	MAIN APPLICATION Auto-Refinish
	<b>Material Type</b>
	Etch Primer
	Primer - 1K
	Filling Primer - 2K
✓	Spray Putty
	Stain
	Lacquer - Furniture
	Acrylic Lacquer
	Enamel - Air Dry
	Polyurethane/Urethane
	Top Coat Solid Colour - 2K
	Base Coat - 2K
	Base Coat - Waterborne
	Clear Coat - 2K
	High Solids - 2K (80-85%)
	Contact Adhesive
	Epoxy
●	High Build Epoxy
●	Zinc
✓	Gel Coats
	<b>Paint Viscosity (Ford Cup #4)</b>
	< 18 sec
	18 - 26 sec
●	26 - 33 sec
✓	- <b>Ideal</b> for this material application
●	- <b>Suitable</b> for this material application

### ACCESSORIES



**DR5**  
Spray Gun  
Regulator with  
Gauge



**SEL.11**  
Spray Gun  
Cleaning  
Kit



**015001**  
Super Lube



**BL088057**  
1000 ml  
Aluminium pot



**GGS**  
Gravity Gun  
Stand

TECHNICAL	Fluid Nozzle Size mm	Air Pressure @Gun Inlet bar (psi)	Air Usage (cfm)	Fan Pattern mm	
Order No. <b>RV35</b>	Description Spray gun & 1000 ml pot	3.5	3.5 (50)	12.6	200