

AZ3HTE

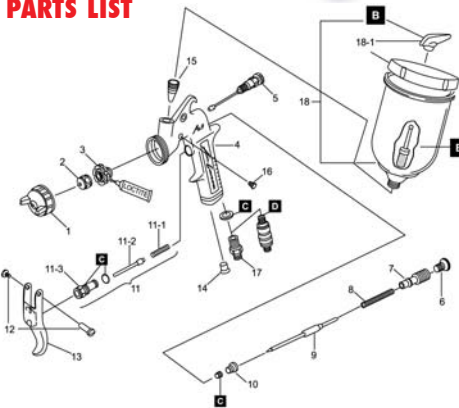
Centre Gravity Feed Spray Gun



- High Transfer Efficiency
- New lightweight design
- Excellent manoeuvrability
- Fine atomization
- Easy to clean Teflon coated body
- Ideal for waterborne coatings - stainless steel nozzle and needle
- New concept multi hole air cap
- PTFE Teflon Needle Packing
- Low air consumption
- Gun weight 570 g

Air Gun

PARTS LIST



Item No.	Part No.	Description
1	2010135113	Air Cap Set 1.3 mm
1	2010135115	Air Cap Set 1.5 mm
1	2010135118	Air Cap Set 1.8 mm
1	2010135120	Air Cap Set 2.0 mm
1	2010131400	Air Cap Set 2.5 mm
1	2010131500	Air Cap Set 3.0 mm
1	2010131600	Air Cap Set 3.5 mm
2+9	2010133600	Fluid Nozzle & Needle Set 1.3 mm
2+9	2010133700	Fluid Nozzle & Needle Set 1.5 mm
2+9	2010133800	Fluid Nozzle & Needle Set 1.8 mm
2+9	2010133900	Fluid Nozzle & Needle Set 2.0 mm

Item No.	Part No.	Description
2+9	2010134000	Fluid Nozzle & Needle Set 2.5 mm
2+9	2010134100	Fluid Nozzle & Needle Set 3.0 mm
2+9	2010134200	Fluid Nozzle & Needle Set 3.5 mm
3	2010140200	Nozzle Holder
4	2010640100	Gun Body AZ3HTE
5	2013030100	Pattern Adjustment
6	2010141000	Fluid Needle Adjustment Knob
7	2010140900	Fluid Needle Guide
8	2010140800	Fluid Needle Spring
10	2010140600	Needle Packing Nut
11	2010120100	Air Valve Set
12	2010130400	Trigger Stud
13	2010141100	Trigger
14	2012340501	Plug
15	2013040100	Threaded Bushing
16	2010142600	Screw
17	2052191414	Air Nipple 1/4" BSP M
18	PCG.6AG	Gravity Pot
18-1	2012840200	Lid & Non Drip Set
B	2012840200	Non Drip Set 5 pcs
C	AZ3RSK	Packing Set
E	SEL.30	Paint Filter Set 5 pcs

	AZ3HTE13C	AZ3HTE15C	AZ3HTE18C	AZ3HTE20C	AZ3HTE25C	AZ3HTE30C	AZ3HTE35C	MAIN APPLICATION
	✓	●						Auto-Refinish - Industrial
		✓	●					Material Type
			✓	●				Etch Primer
								Primer - 1K
				✓	●			Filling Primer - 2K
						✓	●	Spray Putty
	●	✓						Stain
			✓	●				Lacquer - Furniture
			✓	●				Acrylic Lacquer
	●	✓						Enamel - Air Dry
	✓	●						Polyurethane/Urethane
	●	✓						Top Coat Solid Colour - 2K
	✓	●						Base Coat - 2K
	✓	●						Base Coat - Waterborne
	●	✓						Clear Coat - 2K
			✓	●				High Solids - 2K (80-85%)
		●	●	✓	●	●	●	Contact Adhesive
				✓	●			Epoxy
				✓	●	●		High Build Epoxy
				●	✓	●		Zinc
				✓	●	●		Chlorinated Rubber
								Paint Viscosity (Ford Cup #4)
	●							< 18 sec
	●	●	●	●				18 - 26 sec
						●	●	26 - 33 sec
	✓ - Ideal for this material application							
	● - Suitable for this material application							

ACCESSORIES



SEL.30
Paint Filters



SEL.11
Spray Gun
Cleaning
Kit



015001
Super Lube



PCG.6AG
600 ml
Nylon Pot



Mix and Spray
System
Components

TECHNICAL						
Order No.	Description	Fluid Nozzle Size mm	Air Pressure @Gun Inlet bar (psi)	Air Consumption l/min (cfm)	Fluid Output ml/min	Fan Pattern mm
AZ3HTE13C	Spray gun & PCG.6AG 600 ml pot	1.3	2.0 (28)	200 (7.1)	150	240
AZ3HTE15C	Spray gun & PCG.6AG 600 ml pot	1.5	2.0 (28)	200 (7.1)	190	260
AZ3HTE18C	Spray gun & PCG.6AG 600 ml pot	1.8	2.0 (28)	200 (7.1)	260	300
AZ3HTE20C	Spray gun & PCG.6AG 600 ml pot	2.0	2.0 (28)	205 (7.2)	265	310
AZ3HTE25C	Spray gun & PCG.6AG 600 ml pot	2.5	3.0 (43)	279 (9.8)	424	340
AZ3HTE30C	Spray gun & PCG.6AG 600 ml pot	3.0	3.0 (43)	288 (7.1)	489	360
AZ3HTE35C	Spray gun & PCG.6AG 600 ml pot	3.5	3.0 (43)	307 (12.1)	490	340