

LPH400LV

Centre Gravity Feed Spray Gun



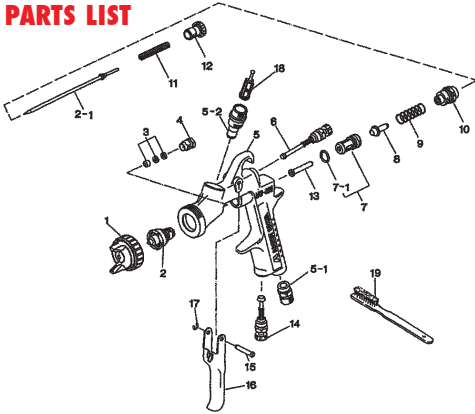
- High Transfer Efficient - less overspray
- Fine atomization
- More paint coverage - fast operation
- Low air consumption
- Low inlet pressure
- Lightweight - ergonomic design
- Gun head weight only 380 g
- Easy to clean chrome body
- Ideal for medium to large paint jobs

ANEST IWATA

Shown with optional metal pot

HVLP

PARTS LIST



Item No.	Part No.	Description
1	93874601	Air Cap Set LV4 (all models)
1A	93512600	# Air Cap Cover Ring (all models)
1B	93708240	# Air Cap Packing (all models)
2-1	93547600	Fluid Nozzle 1.4 (144 only)
2-1	93552600	Fluid Nozzle 1.2 (124 only)
2-1	93553600	Fluid Nozzle 1.6 (164 only)
2-1	93554600	Fluid Nozzle 1.8 (184 only)
2-2	93829600	Fluid Needle Set 1.2 (124 only)
2-2	93830600	Fluid Needle Set 1.4, 1.6 (144 & 164)
2-2	93831600	Fluid Needle Set 1.8 (184 only)
3	93834530	# Needle Packing Set (all models)

Item No.	Part No.	Description
4	93581531	Needle Packing Seat (all models)
5	93853600	Body Set, Gravity (all models)
5-1	93660300	Air Nipple (all models)
5-2	93650530	Fluid Nipple (all models)
6	93842601	Fan Pattern Adjust Set (all models)
7	93843530	Air Valve Seat Set (all models)
7-1	96638008	# O Ring (all models)
8	93591530	Air Valve (all models)
9	93719530	Air Valve Spring (all models)
10	93844531	Fluid Adjust Guide Set (all models)
11	93593530	Fluid Needle Spring (all models)
12	93594532	Fluid Adjust Knob (all models)
13	93595530	Air Valve Shaft (all models)
14	93845531	Air Adjust Set (all models)
15	93667360	Trigger Stud (all models)
16	93517600	Trigger (all models)
17	93912030	# E Stopper (2 pcs) (all models)
18	SEL.3	Filter Pkt 3 (all models)
19	96990600	Brush (all models)
	W400RSK	W400 & LPH400 Reservice Kit includes items marked #

LPH400124C	LPH400144C	LPH400164C	LPH400184C	MAIN APPLICATION Auto-Refinish
●	●	●	●	Material Type
		●	✓	Etch Primer
				Primer - 1K
				Filling Primer - 2K
				Spray Putty
●	●	●	●	Stain
		●	●	Lacquer - Furniture
		●	●	Acrylic Lacquer
●	✓	●		Enamel - Air Dry
●	✓			Polyurethane/Urethane
				Top Coat Solid Colour - 2K
●	✓			Base Coat - 2K
				Base Coat - Waterborne
●	✓			Clear Coat - 2K
		●		High Solids - 2K (80-85%)
				Contact Adhesive
				Epoxy
				High Build Epoxy
				Zinc
				Chlorinated Rubber
				Paint Viscosity (Ford Cup #4)
●				< 18 sec
●	●	●		18 - 26 sec
			●	26 - 33 sec
				✓ - Ideal for this material application
				● - Suitable for this material application

ACCESSORIES



PCG.6P.M
600 ml pot



Mix and Spray System Components



SEL.3
Paint Filters



SEL.11
Spray Gun Cleaning Kit



015001
Super Lube

TECHNICAL	Fluid Nozzle Size mm	Air Pressure @Gun Inlet bar (psi)	Air Pressure Inside Air Cap bar (psi)	Air Consumption l/min (cfm)	Fluid Output ml/min	Fan Air Pattern mm	Cap No.
LPH400124C	1.2	1.1 (16)	0.7 (10)	270 (9.5)	90	260	LV4
LPH400144C	1.4	1.1 (16)	0.7 (10)	270 (9.5)	130	290	LV4
LPH400164C	1.6	1.1 (16)	0.7 (10)	270 (9.5)	150	300	LV4
LPH400184C	1.8	1.1 (16)	0.7 (10)	270 (9.5)	190	320	LV4